

# PLEASE READ ALL SECTIONS CAREFULLY

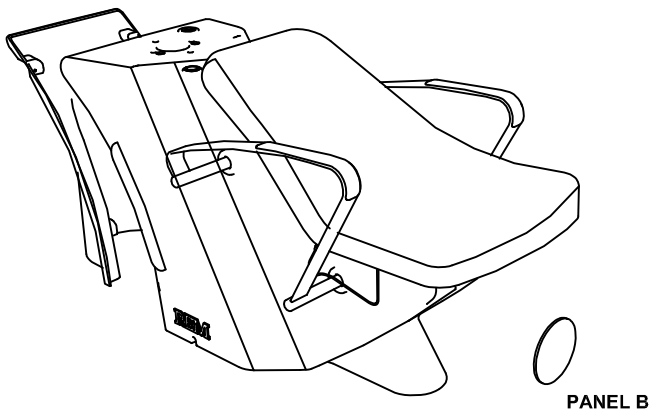


## ELECTRICAL OPTIONS

The Atlantic Washpoint is available with Vibro and Legrest options. These options must be installed, inspected, and tested by qualified personnel to meet the 'Requirements for Electrical Installations, IEE Wiring Regulations, 16th Addition'. Advice on further periodic inspection and testing should be sought from the technician carrying out the final installation. Once installed, movement of the unit, modifications, repairs etc. should only be carried out in accordance with the contents of this notice.

Please note that the Vibro Option is not supplied with the heated seat option.

PANEL A



## FLOOR FIXING AND PLUMBING

- Remove panels A and B to reveal the three fixing holes
- Securely fix to the floor using appropriate fixings (not supplied)

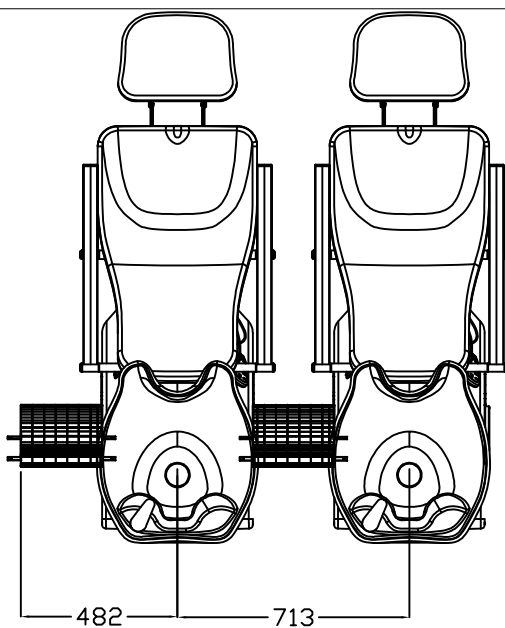
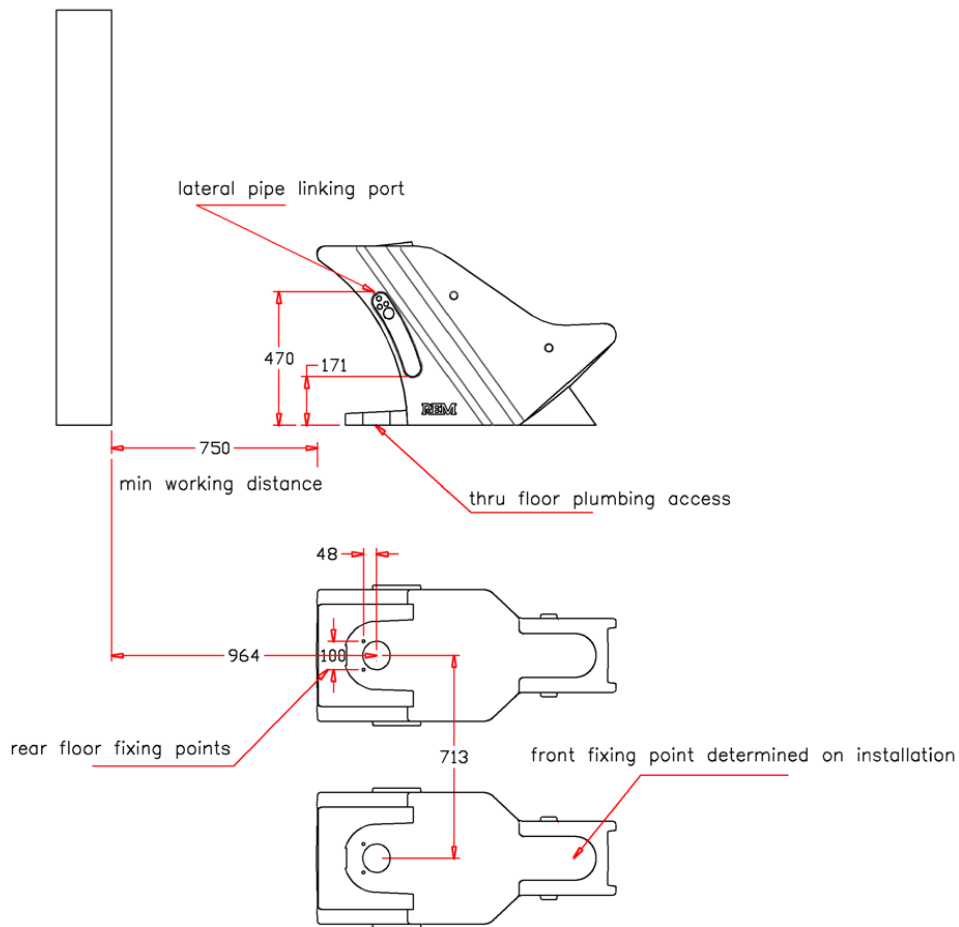
Please see Basin Installation Instructions and Monobloc Installation Instructions supplied separately.

# REM

T: 01282 619977  
F: 01282 619617

Atlantic Wash Units: generic instructions  
04601+04691  
Assembly Instruction Sheet 1/2  
Date: 01/01/2011 – Edition 1  
Produced by: PP

# PLEASE READ ALL SECTIONS CAREFULLY



## FIXING MULTIPLE WASHPOINTS AND LINK UNIT

When fitting more than one Atlantic Washpoint it is recommended there is a 713mm gap between Washpoint centres.

The optional link unit will fit in between two units set at this distance apart. The smaller holes in the pedestal, for fixing the optional link unit, must also be punched out. Link fixings are supplied with the Link Unit.

# REM

T: 01282 619977  
F: 01282 619617

Atlantic Wash Units: generic instructions  
04601+04691  
Assembly Instruction Sheet 2/2  
Date: 01/01/2011 – Edition 1  
Produced by: PP