

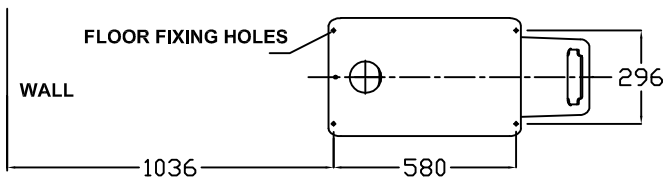
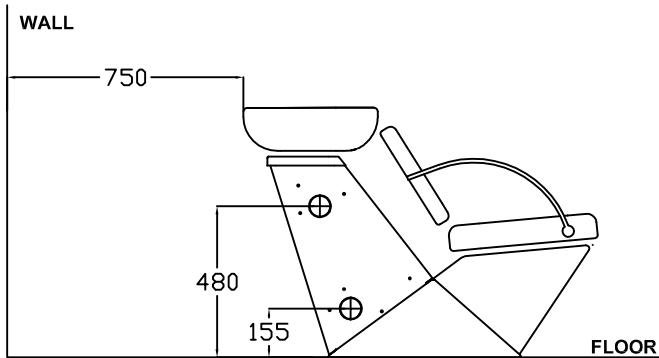
# PLEASE READ ALL SECTIONS CAREFULLY

## FLOOR FIXING AND WASTE PIPE HOLES

The Baltic Washpoint is fixed to the floor via 4 fixing points in corners of the black plastic moulding (fixings not supplied).

The two, large holes in side of pedestal can be punched out to allow waste water pipes to exit the Washpoint.

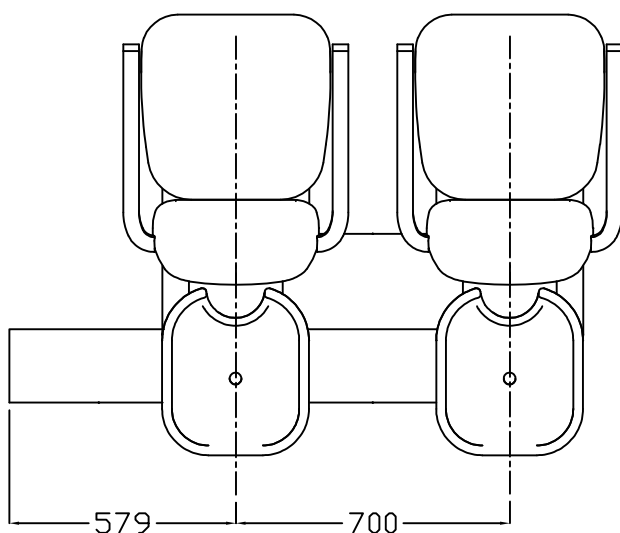
Please see Basin Installation Instructions and Monobloc Installation Instructions supplied separately.



## FIXING MULTIPLE WASHPOINTS AND LINK UNIT

When fitting more than one Baltic Washpoint it is recommended there is a 700mm gap between Washpoint centres.

The optional link unit will fit in between two units set at this distance apart. The smaller holes in the pedestal, for fixing the optional link unit, must also be punched out. Link fixings are supplied with the Link Unit.



# REM

T: 01282 619977  
F: 01282 619617

Baltic Wash Units: generic instructions

04737+04671+04679+04701+04685+04723+04717+04719+04687+04689+04683+04733

Assembly Instruction Sheet 1/1

Date: 01/01/2011 – Edition 1

Produced by: PP