

A : Front Panel
 B : Left Side
 C : Right Side
 D : Upper Top
 E : Main Top
 F : Middle Shelf
 G : Lower Shelf

H : Base Section x 2
 I : Fixings x 24
 J : Caps x 24
 K : Foot x 4
 L : Spare Cam x 2

REM

T: 01282 619977
 F: 01282 619617

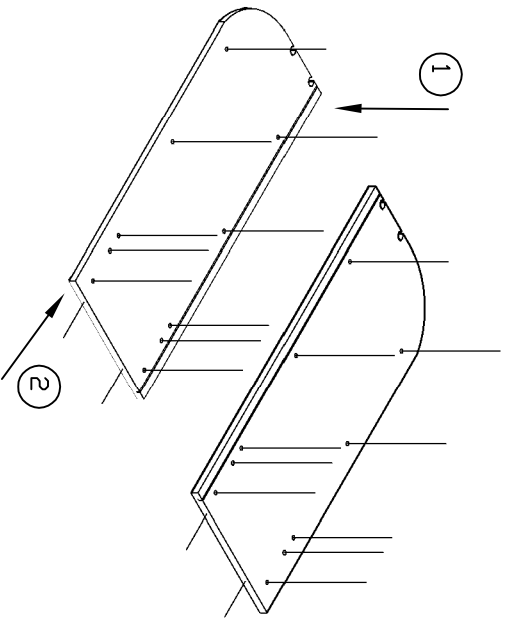
Brico Desk Instructions

05490 / 05491

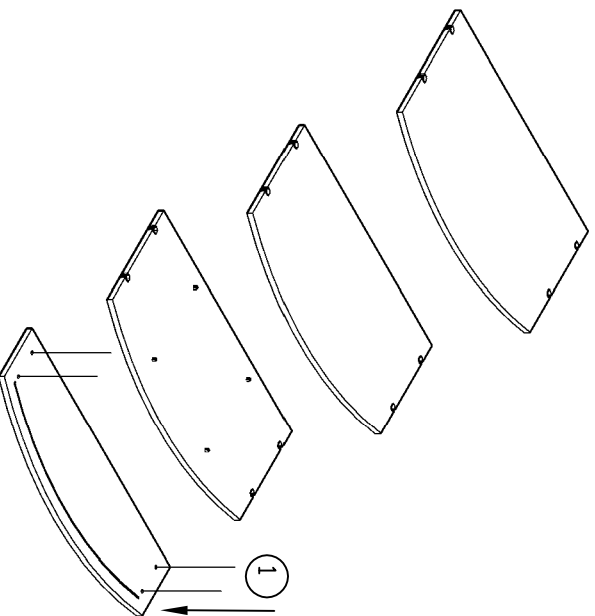
Component Details

Date: 26/01/2011 – Edition 1

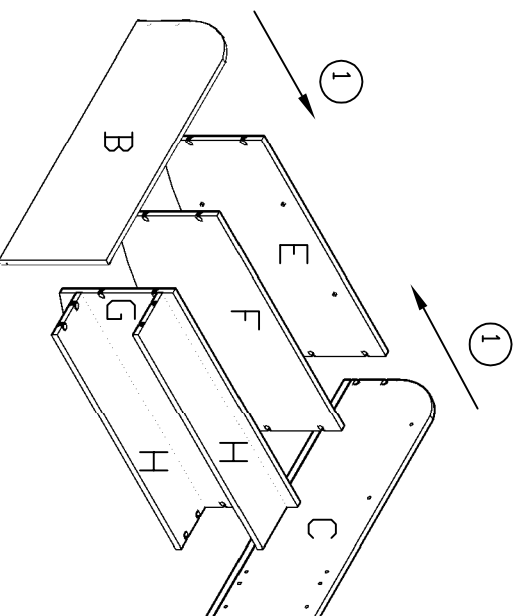
Produced by: PP



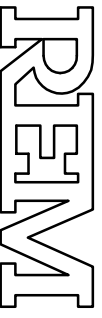
1. Carefully unwrap components and ensure all pieces are in order.
 Insert Fixings (I) into Left Side (B) and Right Side (C) [1].
 Insert Feet (K) into base of both sides [2].



2. Insert Fixings (I) into Upper Top (D) [1].



3. Recommended 2 person required for this operation:
 Attach main sections together as shown [1].



T: 01282 619977
 F: 01282 619617

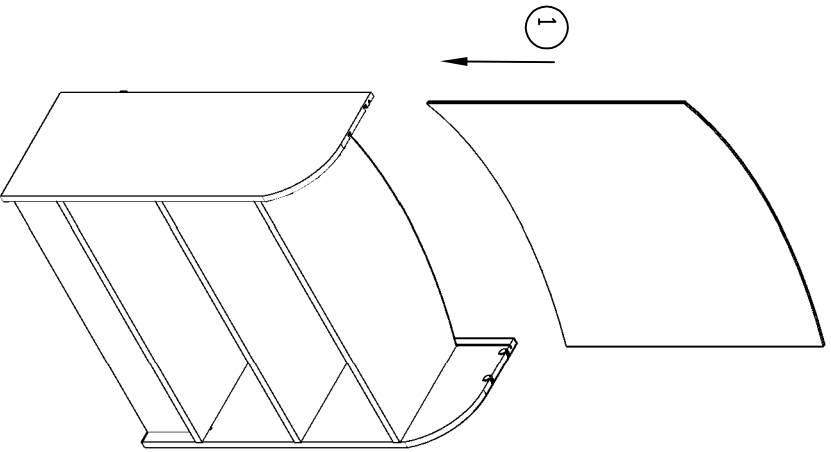
Brico Desk Instructions

05490 / 05491

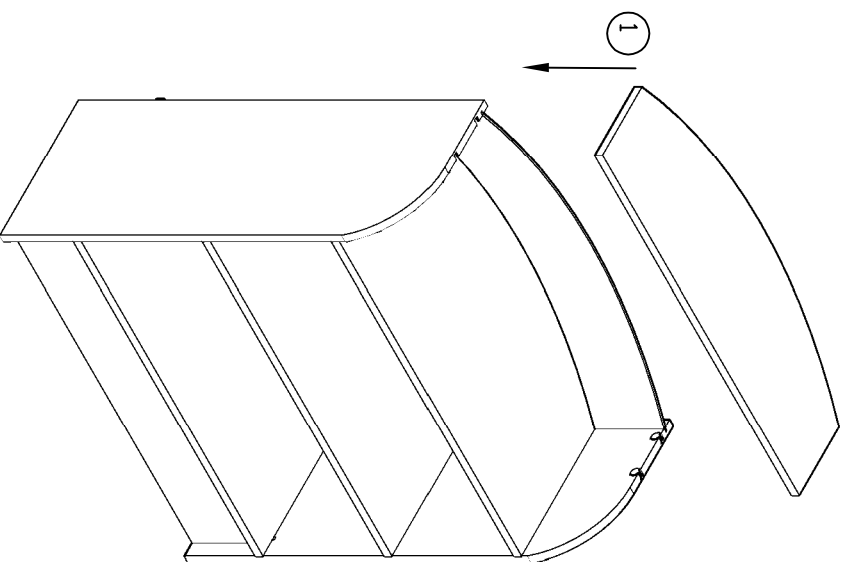
Assembly Instruction Sheet 1/2

Date: 26/01/2011 – Edition 1

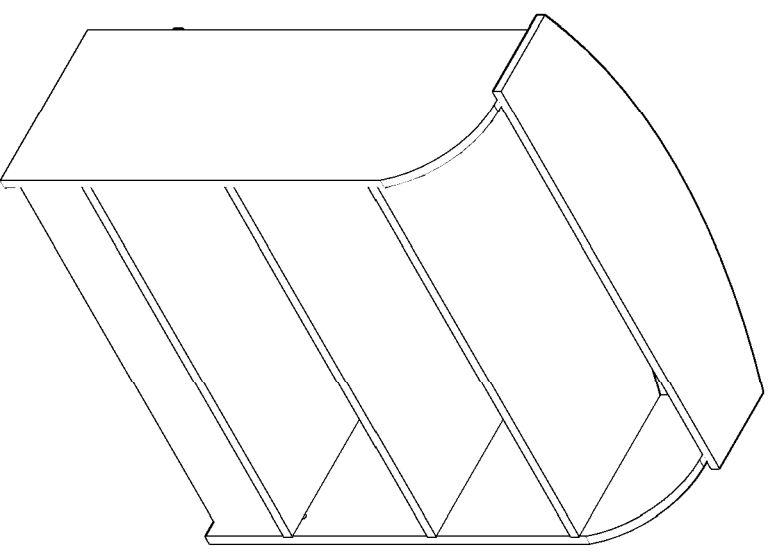
Produced by: PP



4. Slide Front Panel (A) down Left and Right Sides (B & C) ensuring it sits into the groove in Lower Shelf (G) [1].



5. Attach Upper Top (D) to Left and Right Sides (B & C) [1].



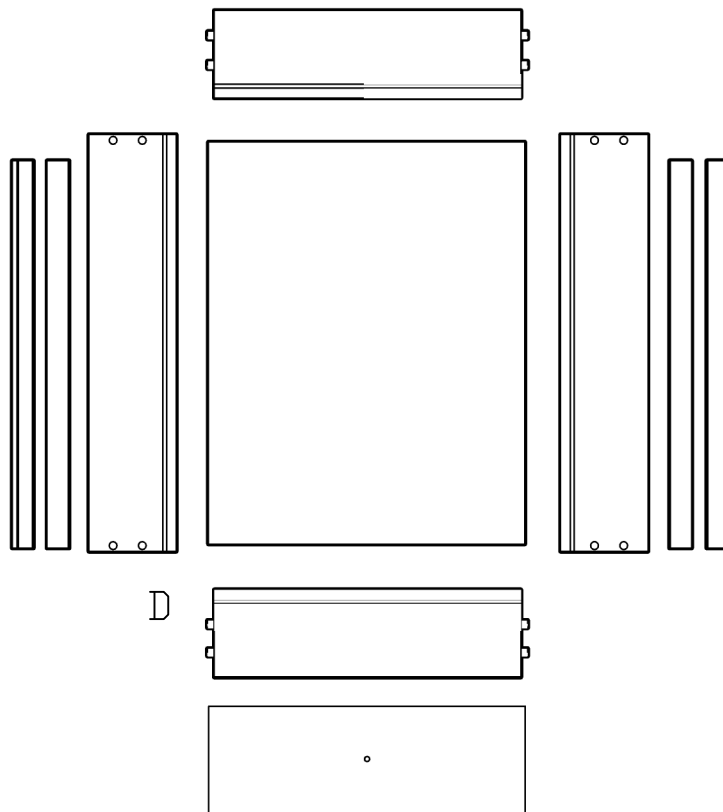
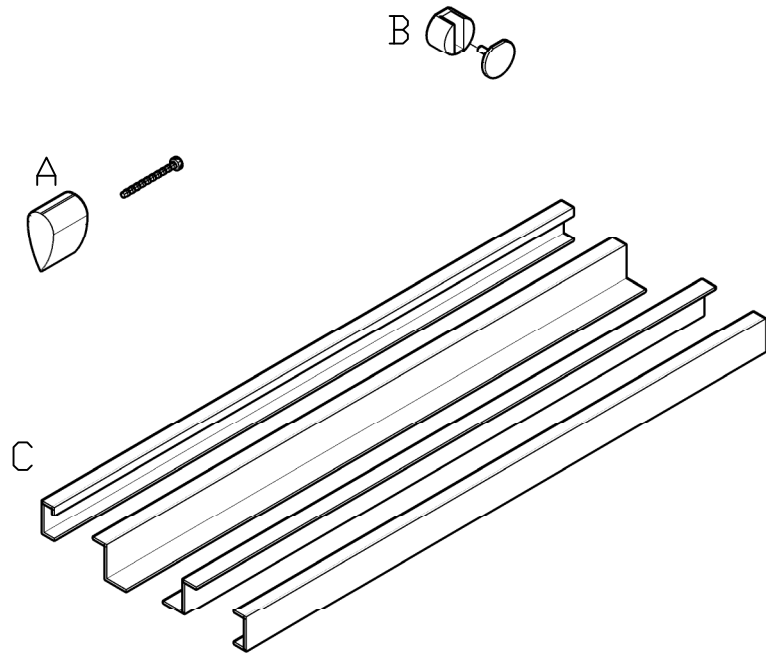
6. Cover all cams with Caps (J).
Brico Desk Complete

REMI

T: 01282 619977
F: 01282 619617

Brico Desk Instructions
05490 / 05491

Assembly Instruction Sheet 2/2
Date: 26/01/2011 – Edition 1
Produced by: PP



- A : Handle & Screw
- B : Runner Set
- C : Cams & Caps x 8
- D : Full Drawer Kit

REM

T: 01282 619977
F: 01282 619617

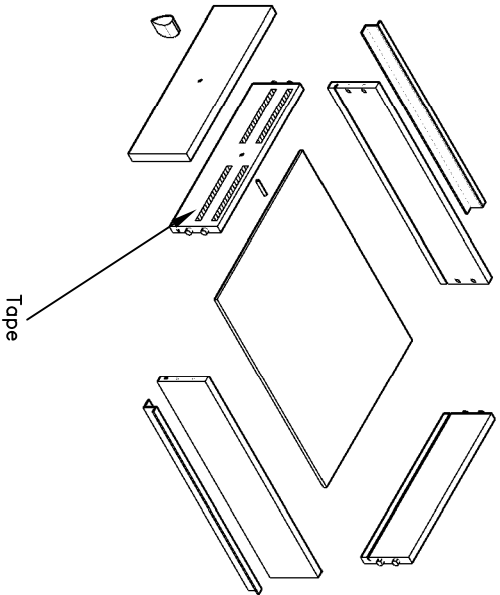
Brico Desk Cash Drawer Instructions

05495 / 05496

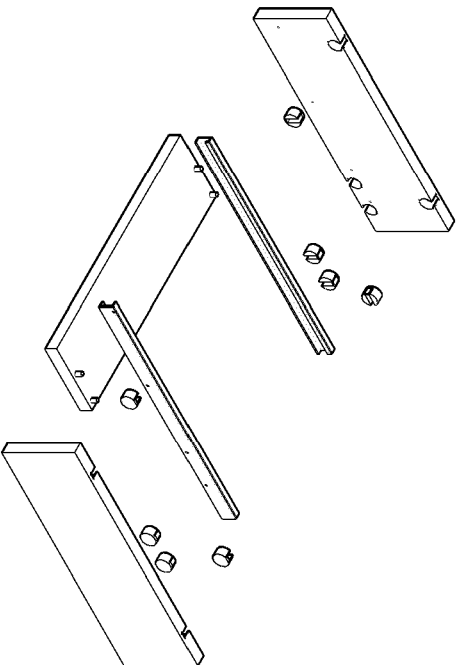
Component Details

Date: 26/01/2011 – Edition 1

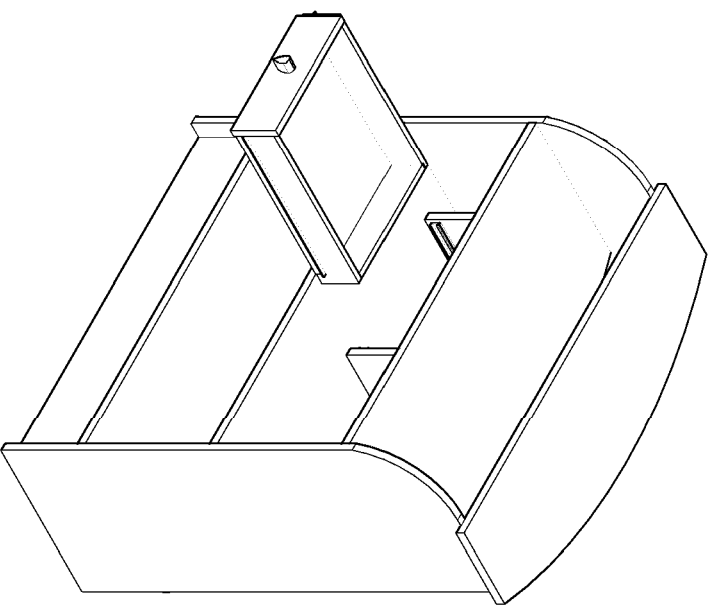
Produced by: PP



1. Carefully unwrap components and ensure all pieces are in order.
 Assemble Drawer Kit (D) as shown in diagram above.



2. Assemble Drawer Support Section and attach to underside of desk.



3. Slide Drawer into runners.
 Unit Complete.

REMI

T: 01282 619977
 F: 01282 619617

Brico Desk Cash Drawer Instructions

05495 / 05496

Assembly Instruction Sheet 1/1

Date: 26/01/2011 – Edition 1

Produced by: PP