

NOTE: mirror sections will have timber braces for transport which must be removed with extreme care as actual mirrors may be loose.

- A : Base Structure
- B : Stainless Steel Top
+ 4 x wood screw
(with or without basin cutout)
- C : Front Cover
- D : Double Mirror

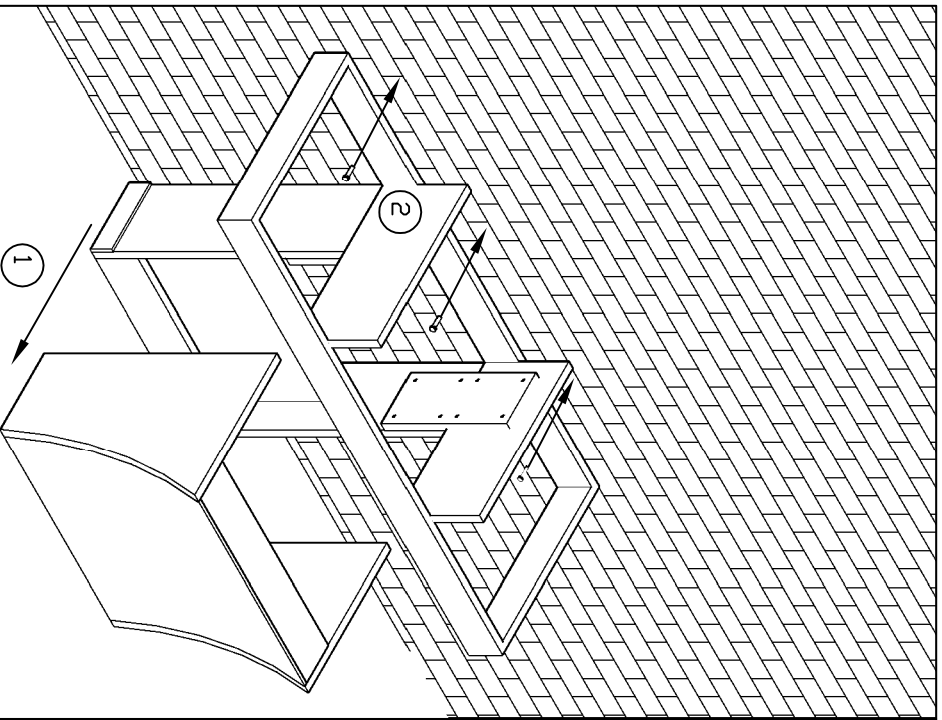
- E : Basin & Tap Kit (if ordered)
- F : Utilities Plate & Fixings (if ordered)
- G : Bolts & Allan Key

Note: any wall fixings provided may not be suitable for all wall types – wall dependent.

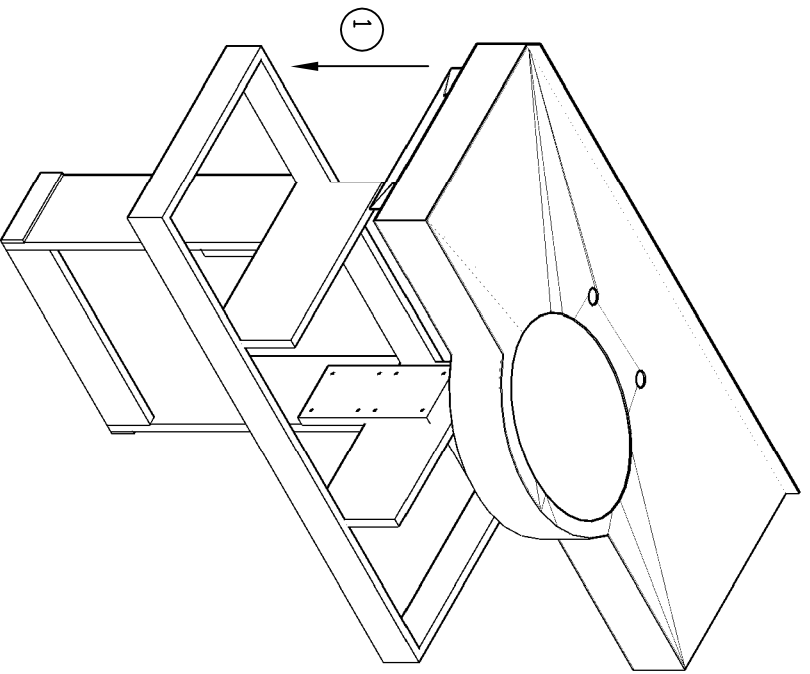
REM

T: 01282 619977
F: 01282 619617

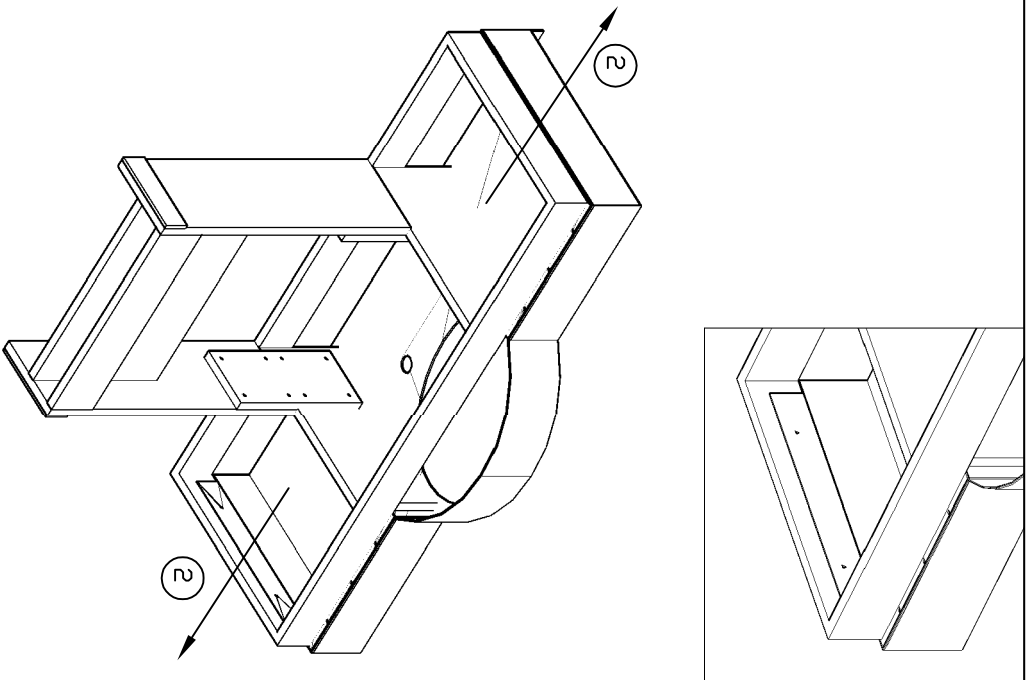
Duke Barbers Unit
05250 / 05253
Component Details
Date: 29/04/2010 – Edition 5
Produced by: PP



1. Un-screw and remove front cover (C) from base structure (A). Position the base structure (A) in the desired location. Fix into wall at 3 positions shown (2). (no fixings provided – wall dependent)



2. Step 1 – Carefully place stainless top (B) over base structure (A) unit with 4 wood screws provided as shown in image on right.



Step 2 – fix into place under

REEM

T: 01282 619977
F: 01282 619617

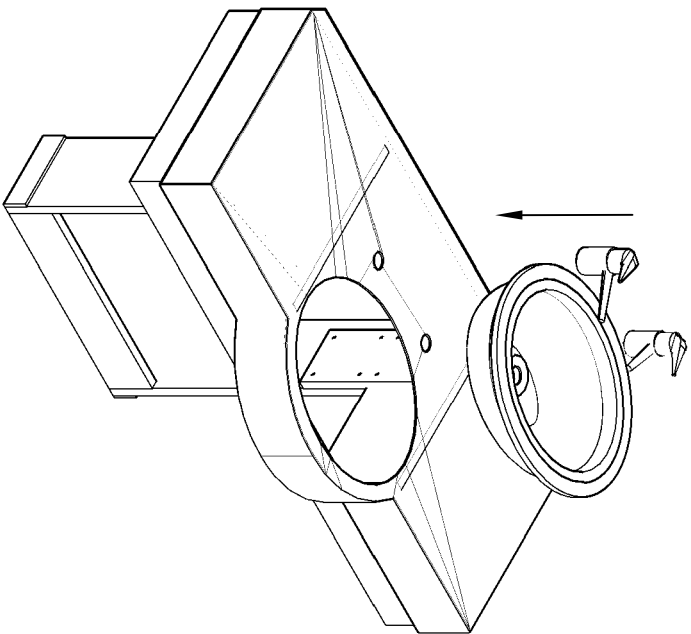
Duke Barbers Unit

05250 / 05253

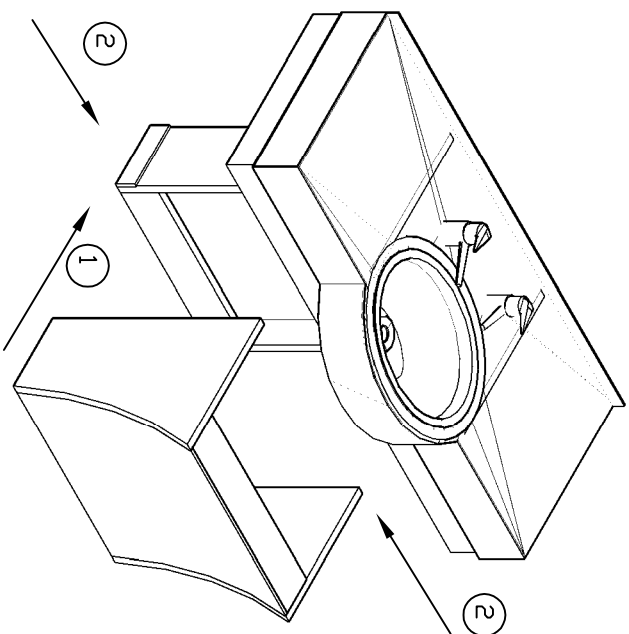
Assembly Instruction Sheet 1/3

Date: 29/04/2010 – Edition 5

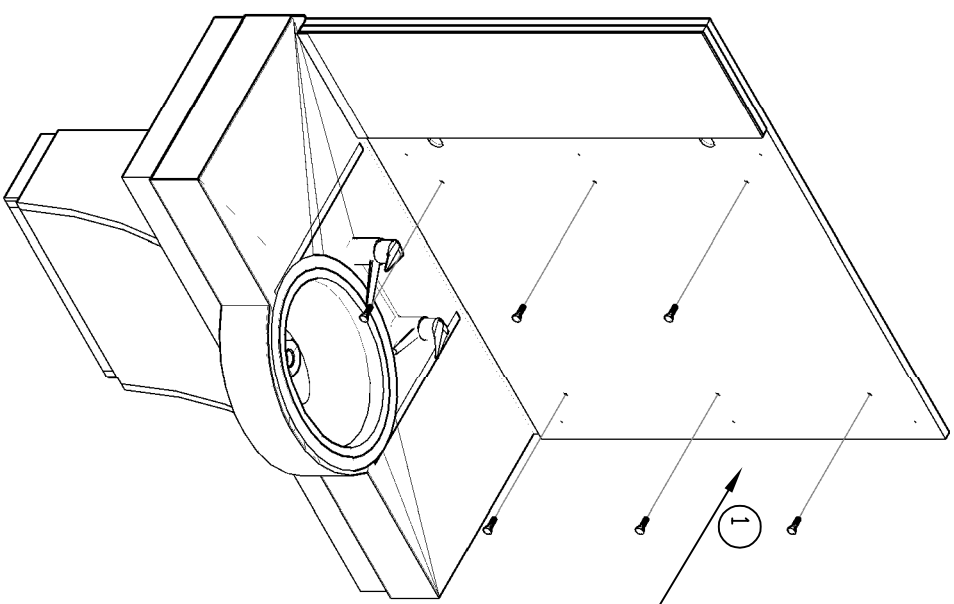
Produced by: PP



3. If full barbers unit is purchased, see separate installation sheet for basin/taps.



4. Slide front cover (C) over base structure (A) Fix back into position with fixings from stage 1.



5. Caution should be taken due to size & weight. Position the full backboard & side mirror piece (D1) above work surface and fix into place using 6 guide holes (1) Ensure counter sunk fixings are used — No fixings are provided due to variations of wall types (NOTE: base of mirror should not touch top work surface and should be mounted above rear lip)

REMI

T: 01282 619977
F: 01282 619617

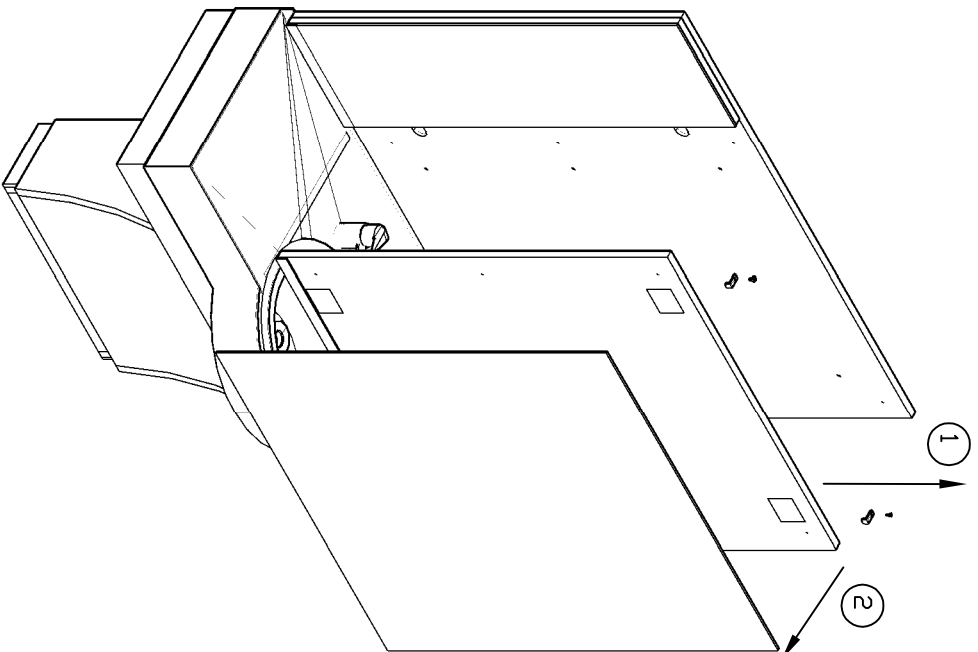
Duke Barbers Unit

05250 / 05253

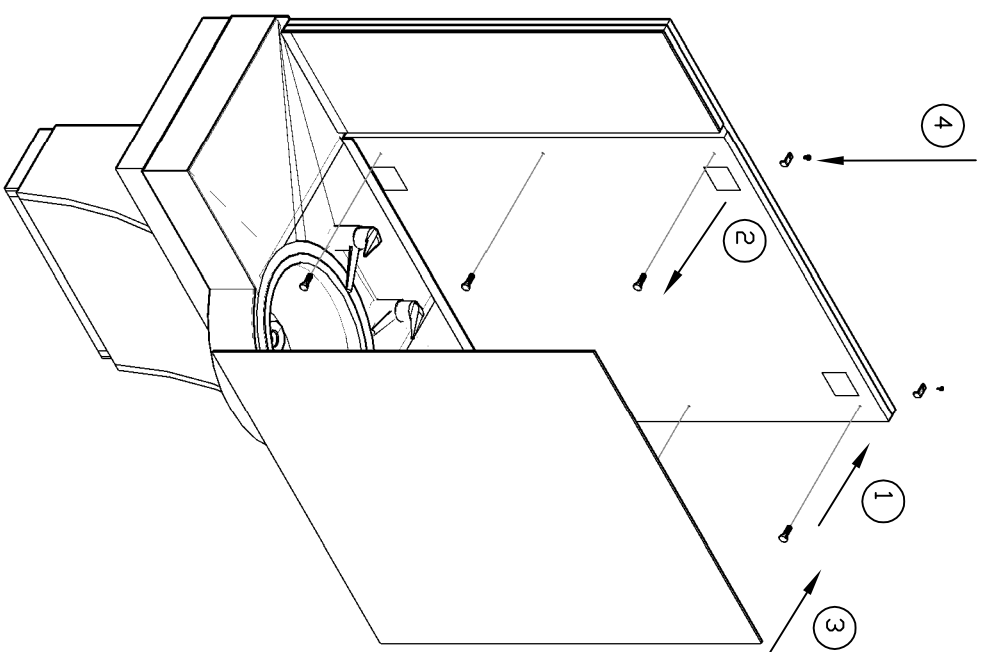
Assembly Instruction Sheet 2/3

Date: 29/04/2010 – Edition 5

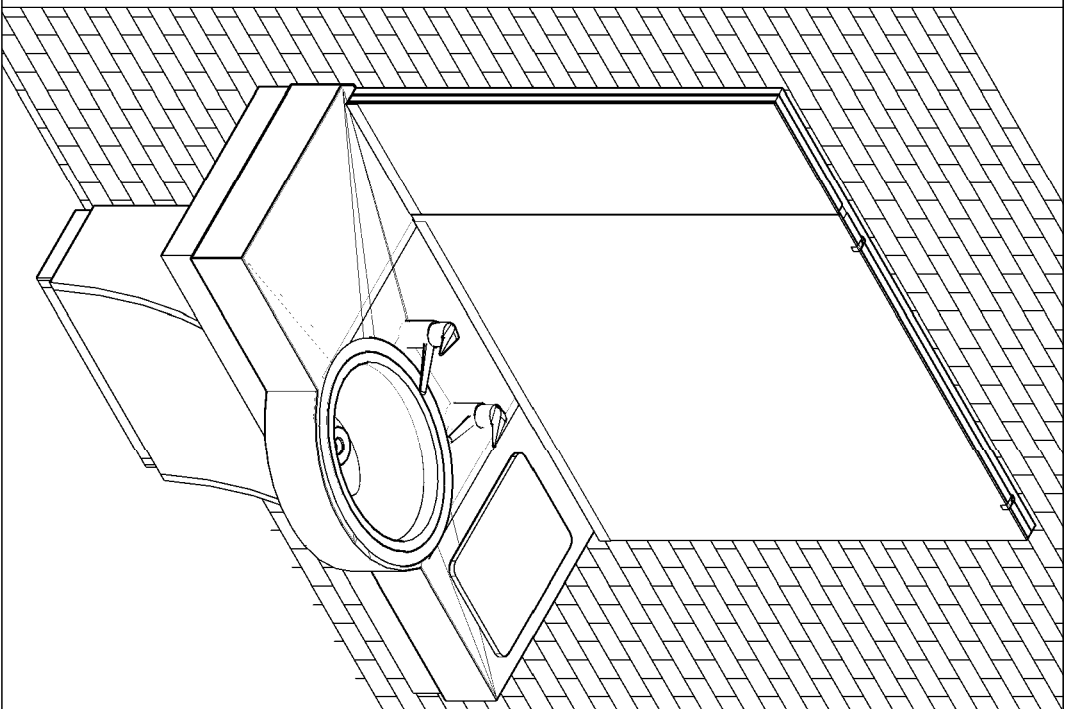
Produced by: PP



6. Caution should be taken due to size & weight. Carefully unscrew top mirror clips (1) from (D2) and remove mirror (2)
 (note: mirror will be loose)



7. Caution should be taken due to size & weight. Fix mirror section (D2) to section (D1) using bolts & allen key (G) provided (1).
 Peel off adhesive backing from corners of board (D2)(2). Carefully slot mirror into bottom channel and slide into position (right hand side should line up with edge of board). Push back to fix into place (3).
 (note: keep hold of mirror until stage 4 complete)
 Fix top mirror clips back into position to fully secure mirror into place (4).

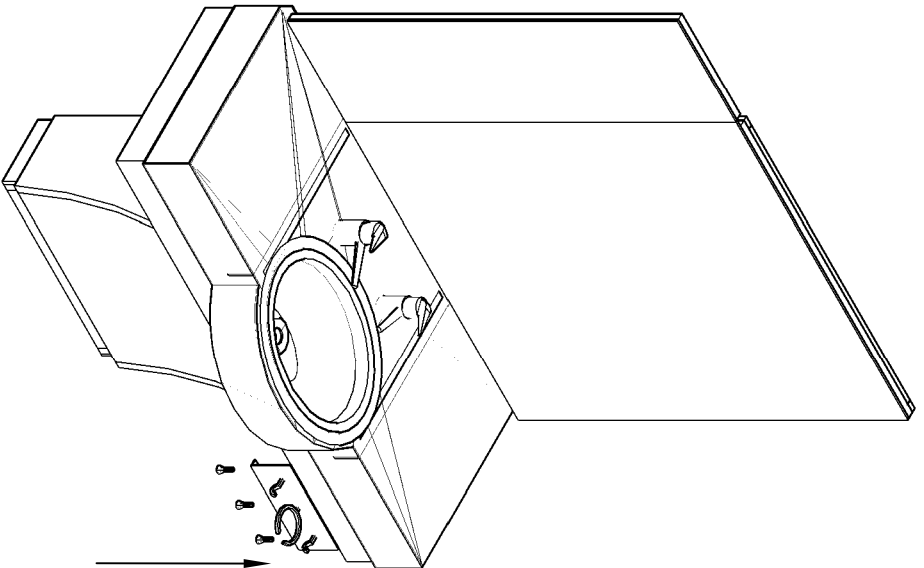


8. UNIT COMPLETE.

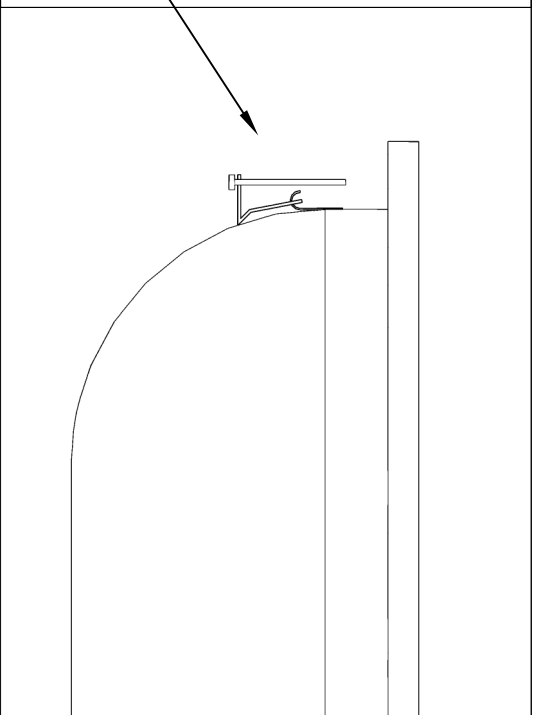
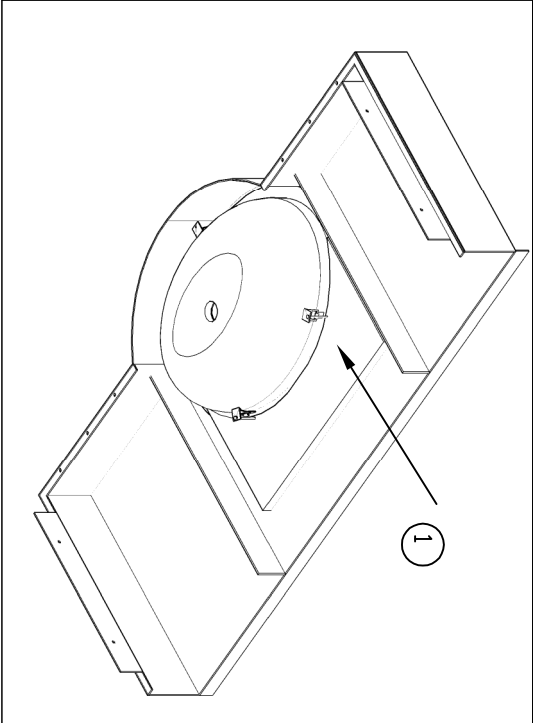
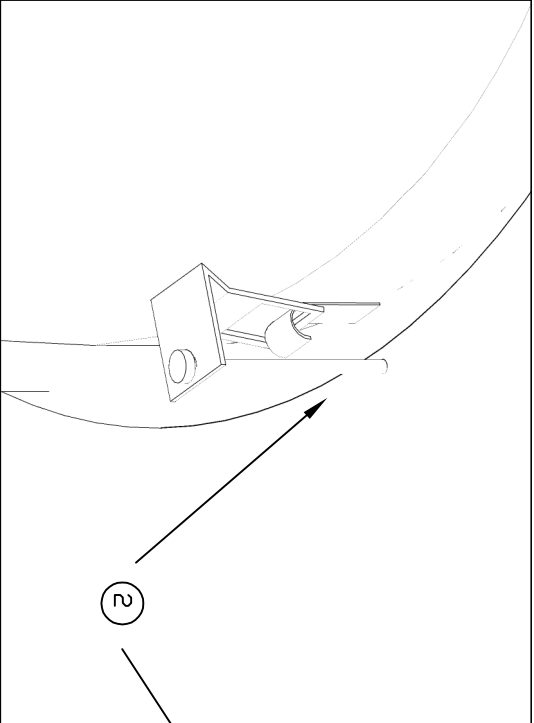
REMI

T: 01282 619977
 F: 01282 619617

Duke Barbers Unit
 05250 / 05253
 Assembly Instruction Sheet 3/3
 Date: 29/04/2010 – Edition 5
 Produced by: PP



Utilities plate can be fixed to left or right of unit.
Line up plate under front metal lip, fix into place with 3 fixings provided.



Carefully place sink into cutout in top of unit. Use silicone to seal basin.(not provided)
Secure basin into place by using 3 clips provided (1).
Screw clip into place as shown in step (2)
See separate sheet for plumbing information – To be completed by qualified plumber only

REMI

T: 01282 619977
F: 01282 619617

Duke Barbers Unit

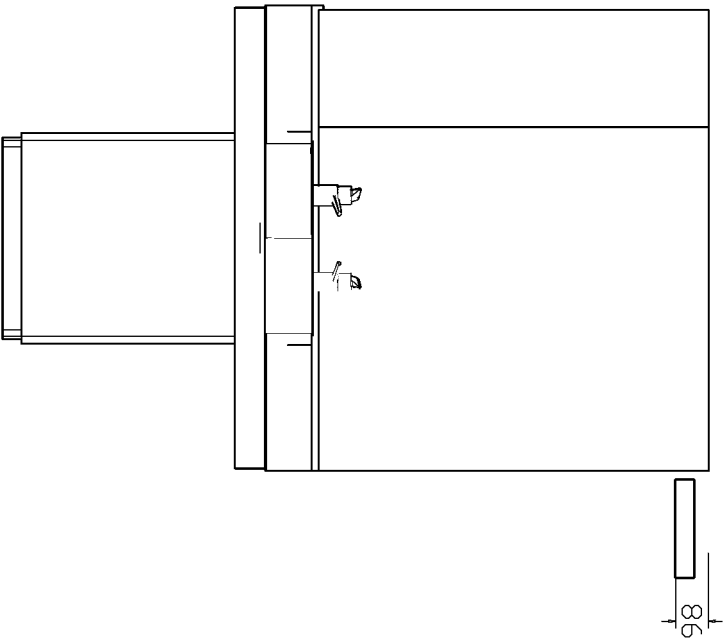
Basin & Holster

Assembly Instruction Sheet 1/1

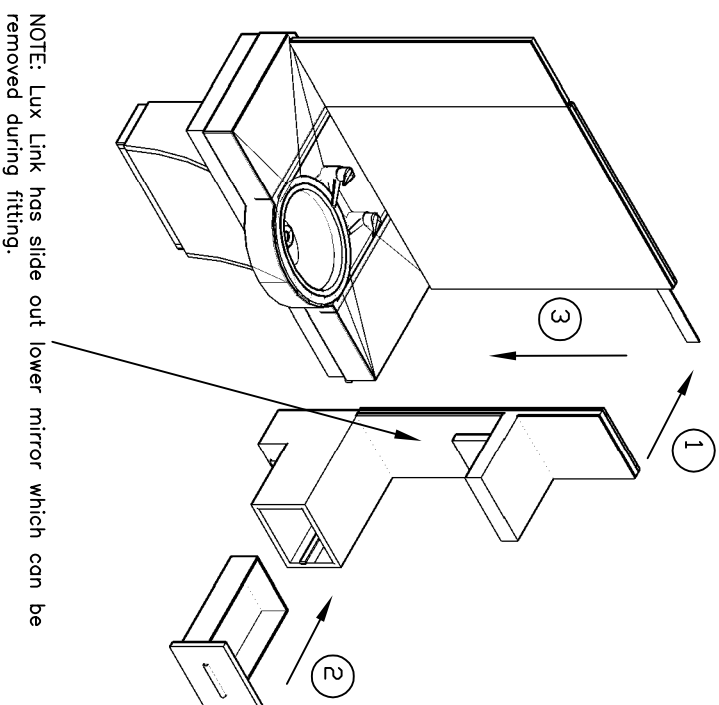
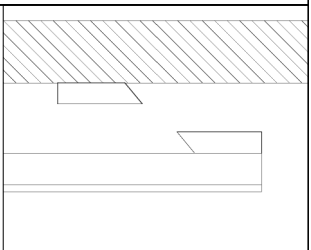
Date: 29/04/2010 – Edition 5

Produced by: PP

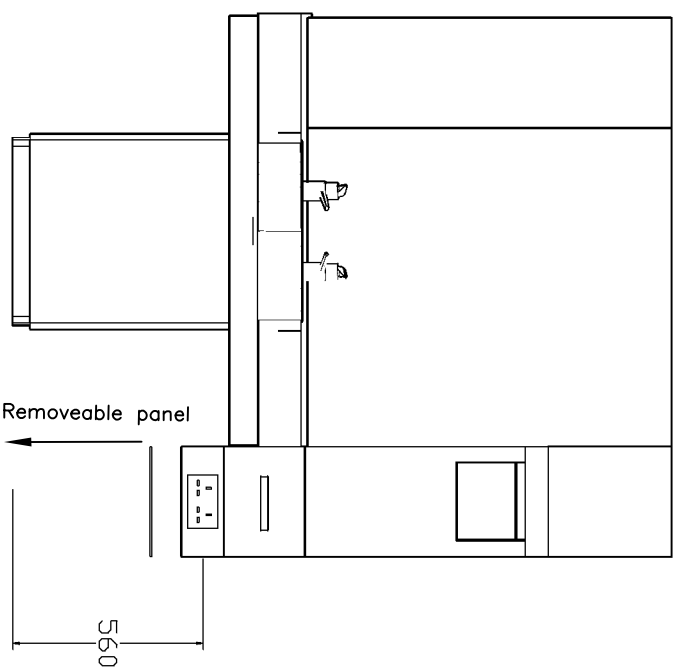
NOTE: tops of units to be level.



Recommended 2 person required for fitting link:
1. Remove bottom baton from behind rear of mirror. Fix into position to the same measurement as main mirror (86mm down from top of unit)



2. Hang link unit onto wall baton with care. Place unit above baton from stage 1 (1) and drop down into place to secure (2). Remove drawer and fix through back of unit into wall (3) (fixings not provided: wall dependent). Slide drawer back into place.



3. Link unit has 60mm diameter hole 560mm from floor for power cables. Plastic panel needs to be removed to gain access. Any electrical sockets to be connected by qualified personnel only. See instructions for connection of LCD TV.

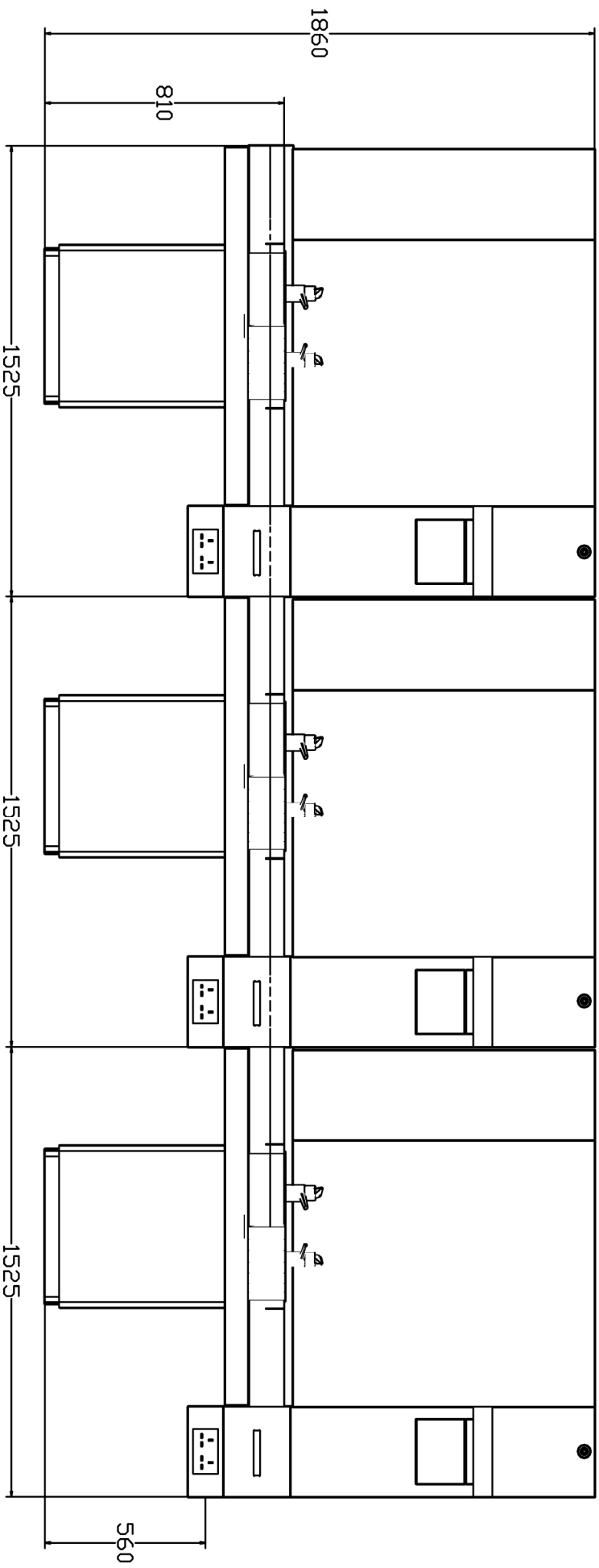
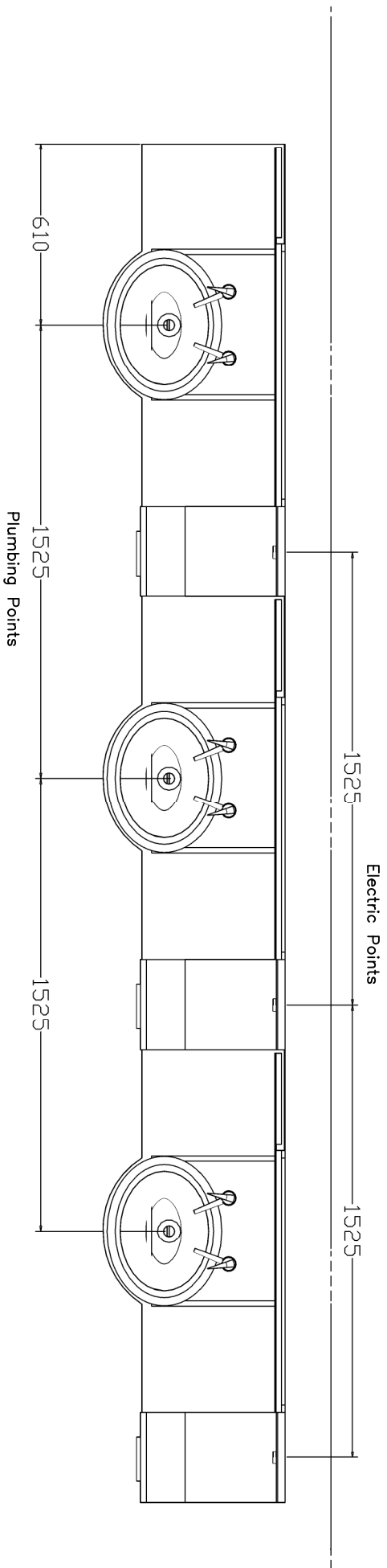
UNIT COMPLETE.

REEM

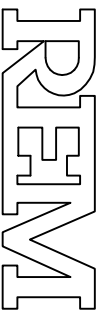
T: 01282 619977
F: 01282 619617

Duke Barbers Link Units
05251 / 05252

Assembly Instruction Sheet 1/1
Date: 29/04/2010 – Edition 5
Produced by: PP



Duke Barbers Unit



T: 01282 619977
F: 01282 619617

Layout
Date: 29/04/2010 – Edition 5
Produced by: PP