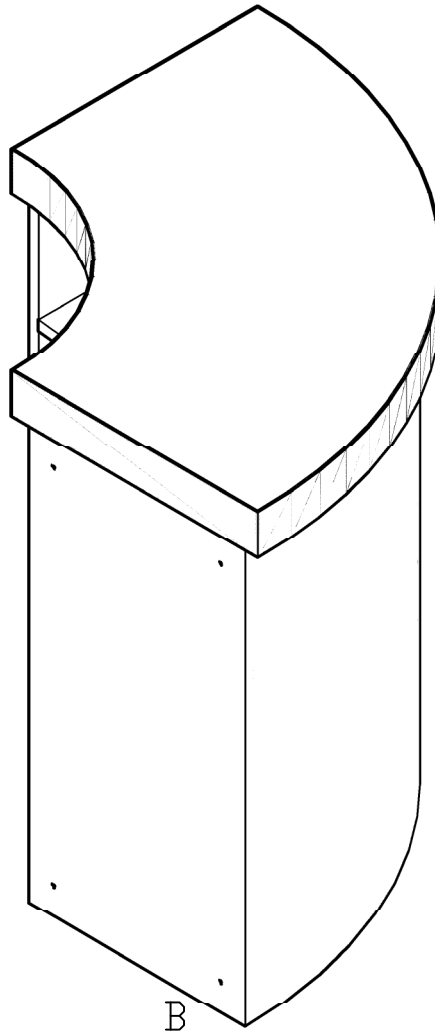
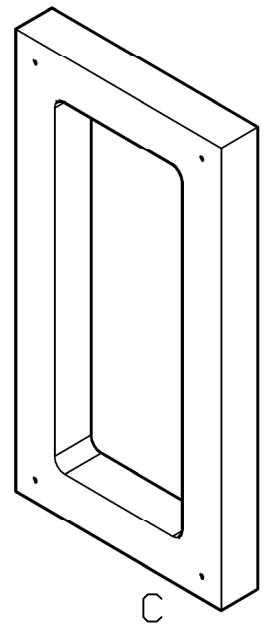


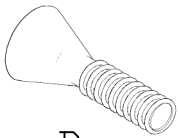
A



B



C



D

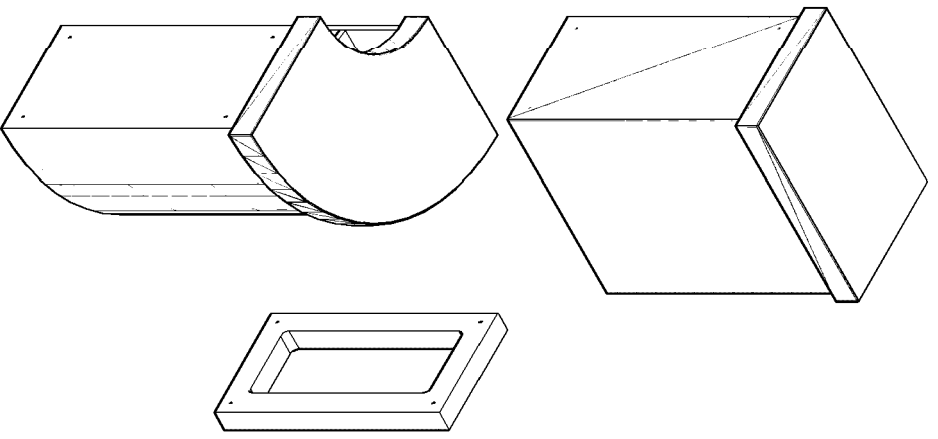
- A : Helix Desk Straight Module
- B : Helix Desk Curve Module
- C : Helix Desk Link Section
- D : Fixing Bolt (8 per Link Section)

NOTE: Helix Desk instruction details demonstrate the assembly process for any desk option containing more than 1 module. Whichever desk configuration is being used, please use the same methods as detailed within these instructions.

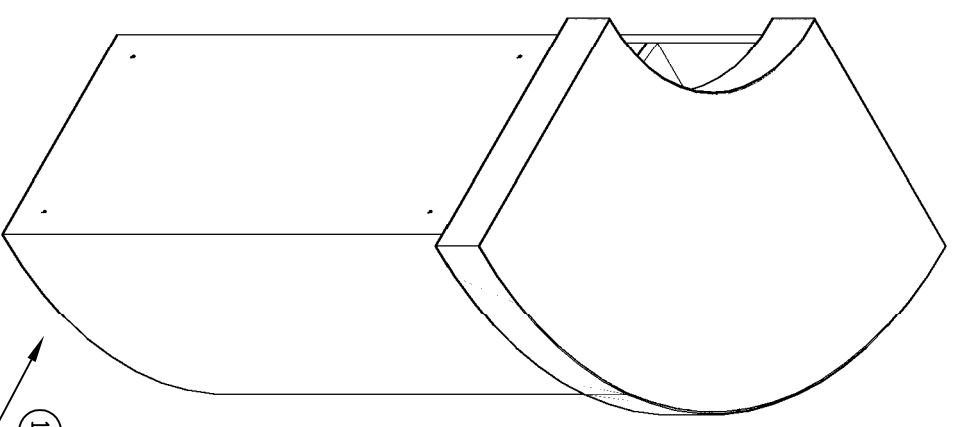
REM

T: 01282 619977
F: 01282 619617

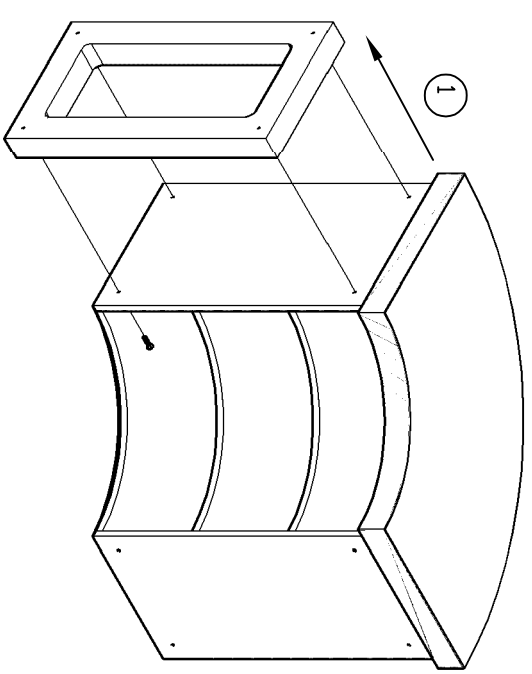
Helix Desk: generic instructions
05540 + 05541
Component Details
Date: 12/02/2009 – Edition 1
Produced by: PP



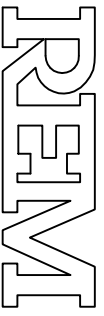
1. Carefully unwrap components and ensure all pieces are in order depending upon type of Helix Desk ordered.



2. Place first module into position. Adjust feet to underside and ensure top surface is horizontal [1].



3. Recommended 2 person required for this operation: Fix desk module (A or B) to Link Section (C) using 4 fixing bolts (D) [1].



T: 01282 619977
F: 01282 619617

Helix Desk: generic instructions

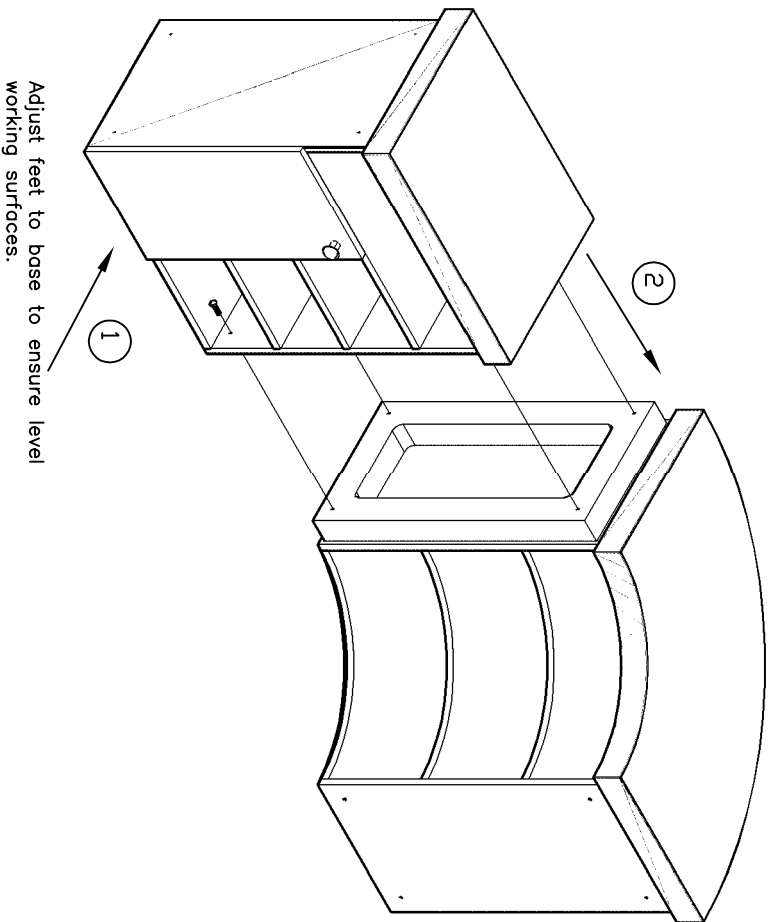
05540 + 05541

Assembly Instruction Sheet 1/2

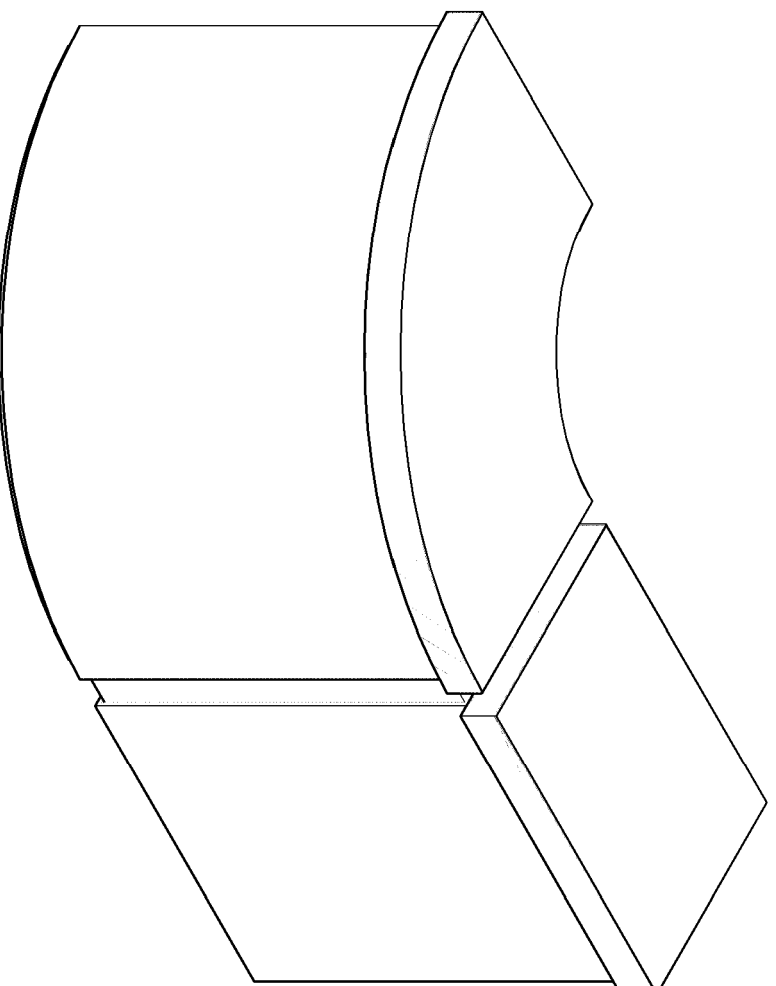
Date: 12/02/2009 – Edition 1

Produced by: PP

NOTE: Helix Desk instruction details demonstrate the assembly process for any desk option containing more than 1 module. Whichever desk configuration is being used, please use the same methods as detailed within these instructions.



4. Place second module into position. Adjust feet to underside and ensure top surface is horizontal [1].
 Recommended 2 person, required for this operation:
 Fix desk module (A or B) to Link Section (C) using 4 fixing bolts (D) [2].
 Repeat same process for any desk containing 3 or more modules.



5. Desk Complete

REEM
 T: 01282 619977
 F: 01282 619617

Helix Desk: generic instructions
 05540 + 05541
 Assembly Instruction Sheet 2/2
 Date: 12/02/2009 – Edition 1
 Produced by: PP

NOTE: Helix Desk instruction details demonstrate the assembly process for any desk option containing more than 1 module. Whichever desk configuration is being used, please use the same methods as detailed within these instructions.