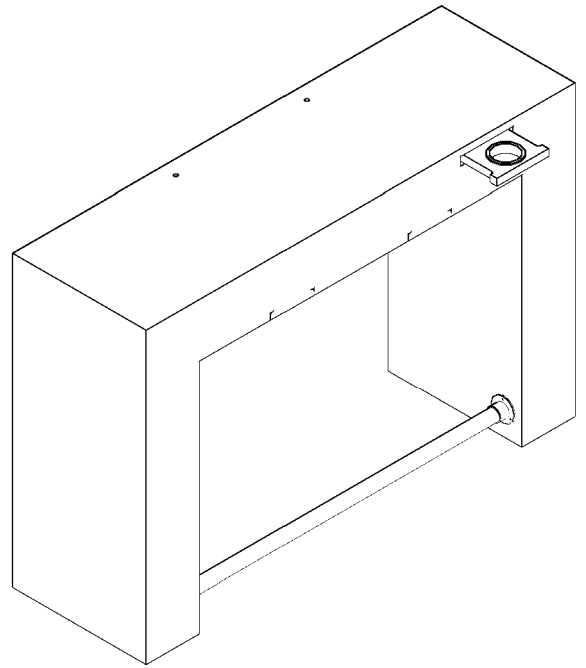
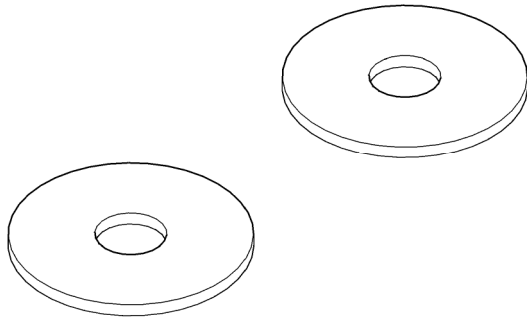


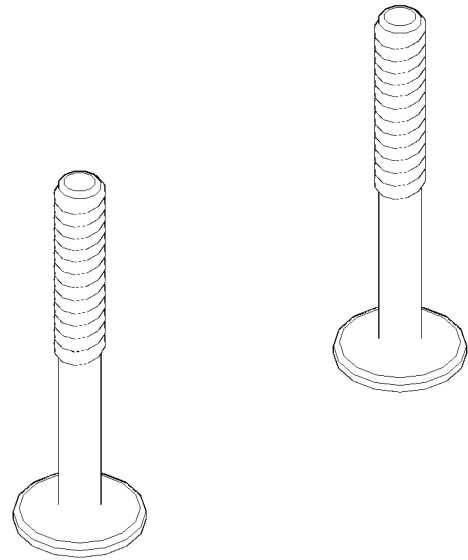
A



B



C



D

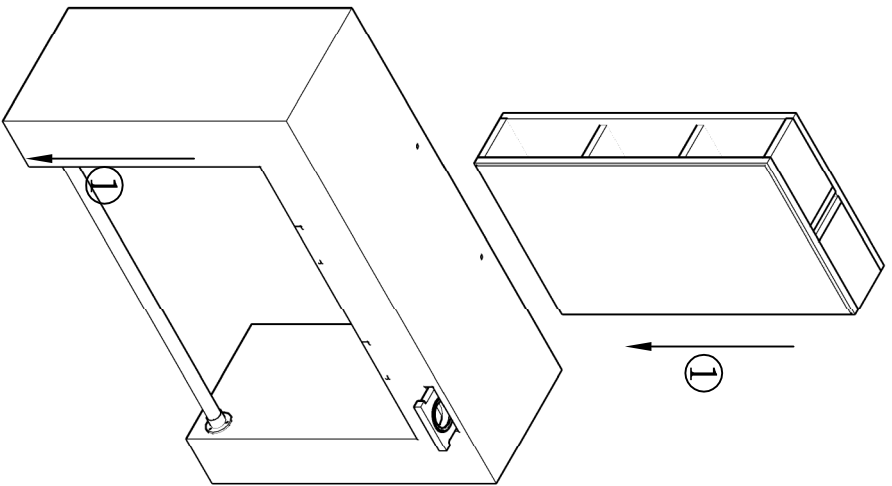
- A : Mirror Box x1
- B : Base Unit x1
- C : Metal Washer x2
- D : Bolts x2

NOTE: Oasis instruction details demonstrate the assembly process for any Oasis Lux option. Which ever unit configuration is being used, please use the same methods as detailed within these instructions.

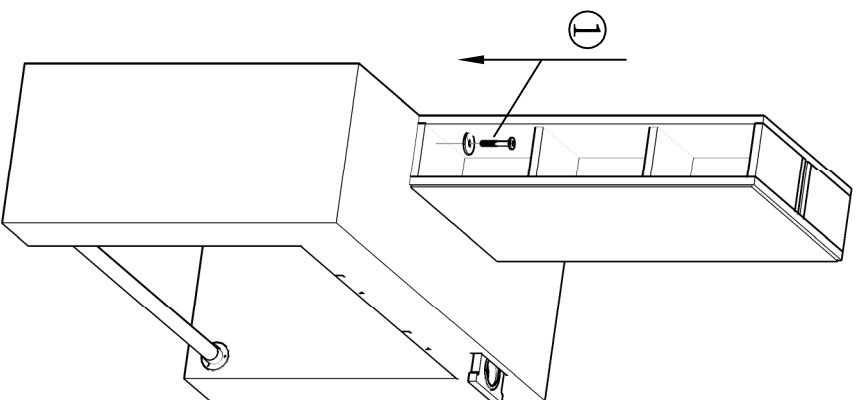
**REM**

T: 01282 619977  
F: 01282 619617

Oasis Lux: generic instructions  
05664 / 05666 / 05668  
Component Details  
Date: 01/01/2011 - Edition 1  
Produced by: PP

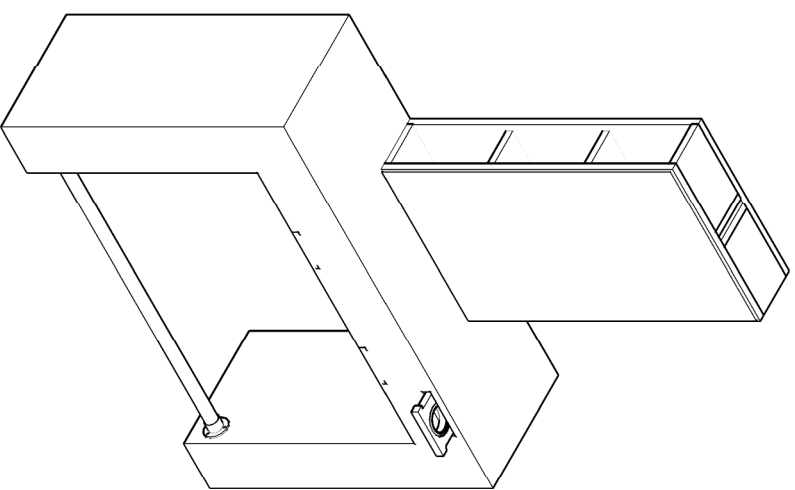


1. Minimum 2 person stage:  
Carefully position mirror box (A) onto the base unit (B) [1].



2. Minimum 2 person stage:  
Using the washer and bolt fix the mirror box (A) into position through top of the unit (B) [1].

Repeat process depending upon type of Oasis unit ordered.



3. Unit complete

# REM

T: 01282 619977  
F: 01282 619617

Oasis Lux: generic instructions

05664 / 05666 / 05668

Assembly Instruction Sheet 1/1

Date: 01/01/2011 – Edition 1

Produced by: PP

NOTE: Oasis instruction details demonstrate the assembly process for any Oasis Lux option. Which ever unit configuration is being used, please use the same methods as detailed within these instructions.