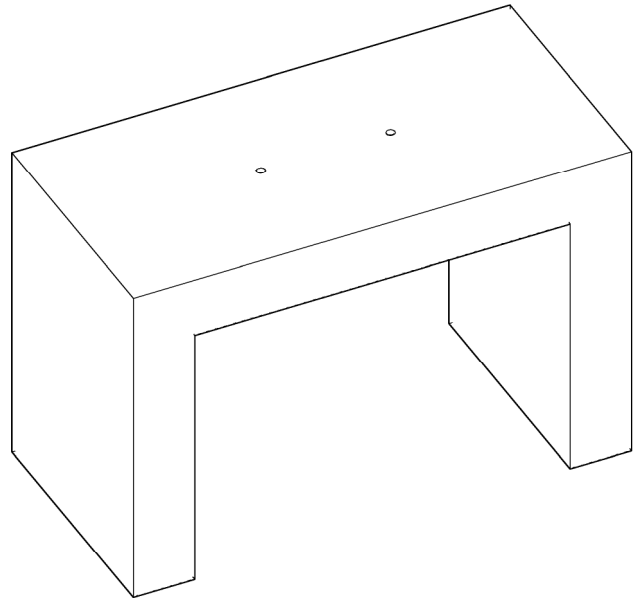
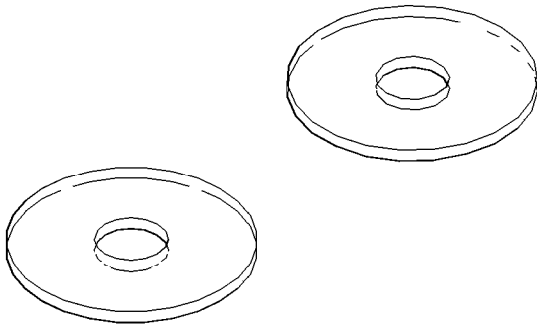


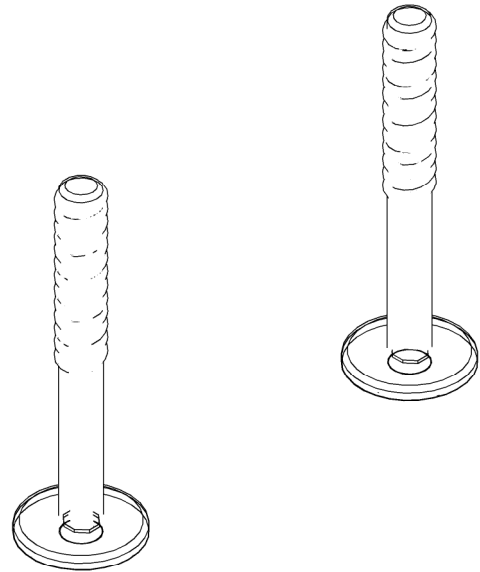
A



B



C



D

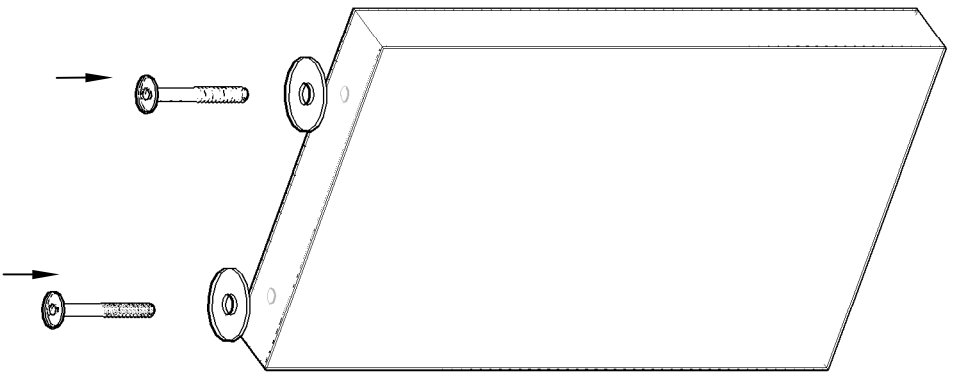
- A : Mirror Box x1
- B : Base Unit x1
- C : Metal Washer x2
- D : Bolts x2

NOTE: Oasis instruction details demonstrate the assembly process for any Oasis option. Which ever unit configuration is being used, please use the same methods as detailed within these instructions.

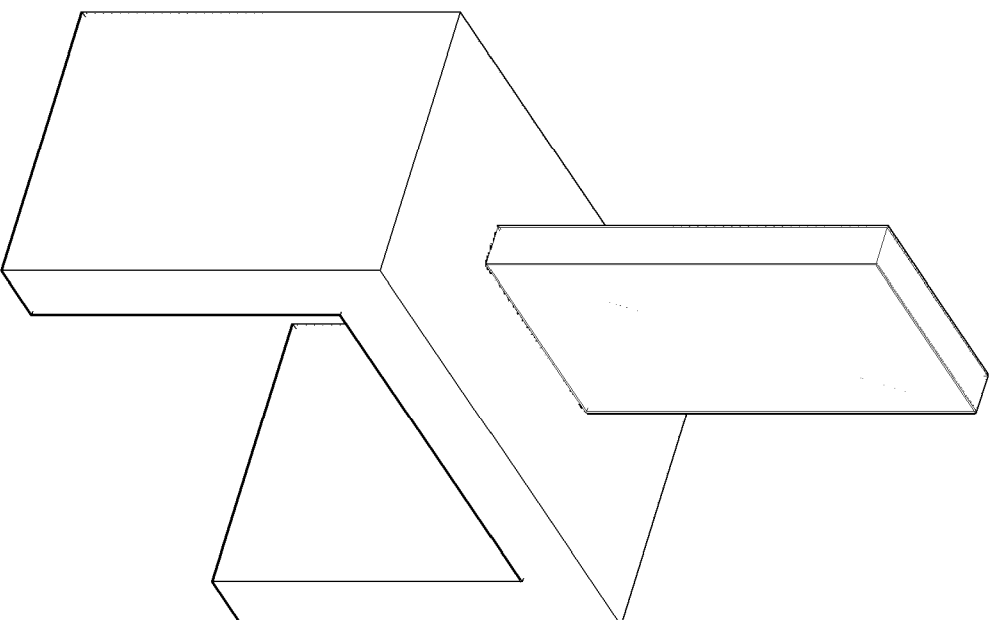
REM

T: 01282 619977
F: 01282 619617

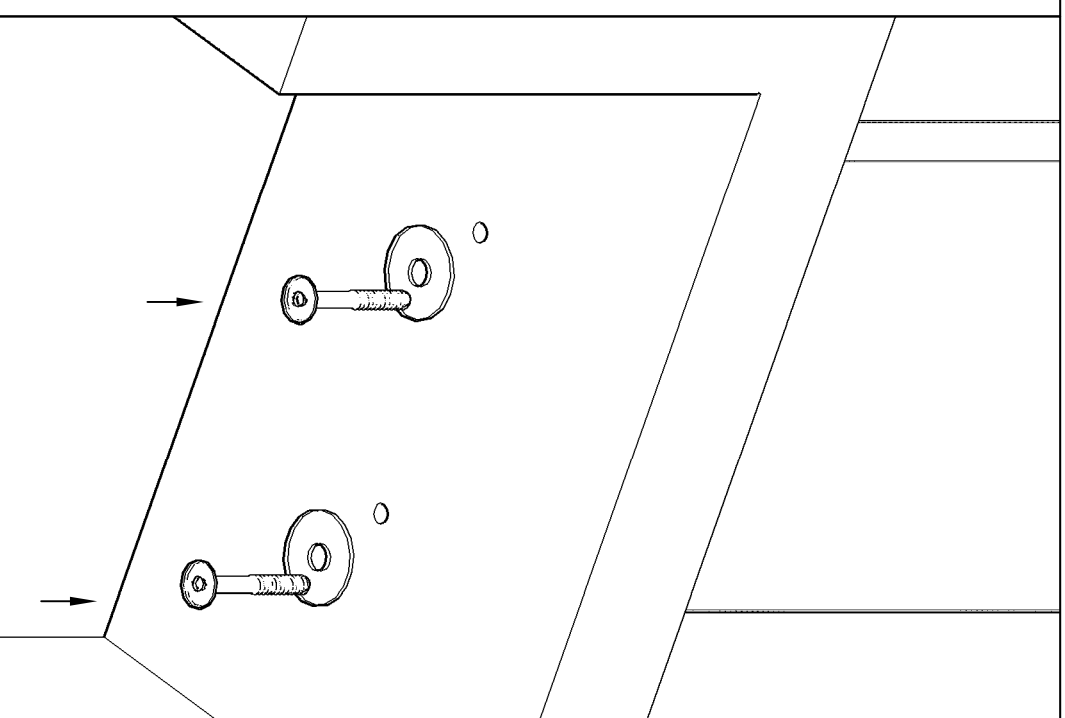
Oasis: generic instructions
05661
Component Details
Date: 17/02/2009 – Edition 1
Produced by: HT



1. Remove bolt and washer from the bottom of the mirror box.



2. Position mirror box onto the base unit, this is a two person job as the mirror may be unsteady.



3. Using the washer and bolt fix the mirror into position from underneath the unit.

REEM

T: 01282 619977
F: 01282 619617

Oasis Unit: generic instructions

05660

Assembly Instruction Sheet 1/2

Date: 17/02/2009 – Edition 1

Produced by: HT

NOTE: Oasis instruction details demonstrate the assembly process for any Oasis option. Which ever unit configuration is being used, please use the same methods as detailed within these instructions.