

Cable access holes for electrical installation.

- A : Island Unit Column  
 2 x double chrome sockets (UK Models)  
 2 x glass shelves  
 2 x internal spotlights
- B : Base Support (floor mounted)

- C : Floor Base (optional)  
 D : 2 x Paragon Island Styling Units  
 – see Component page 2 for details

(NOTE: upper striplights removed on Island Unit Styling Sections)

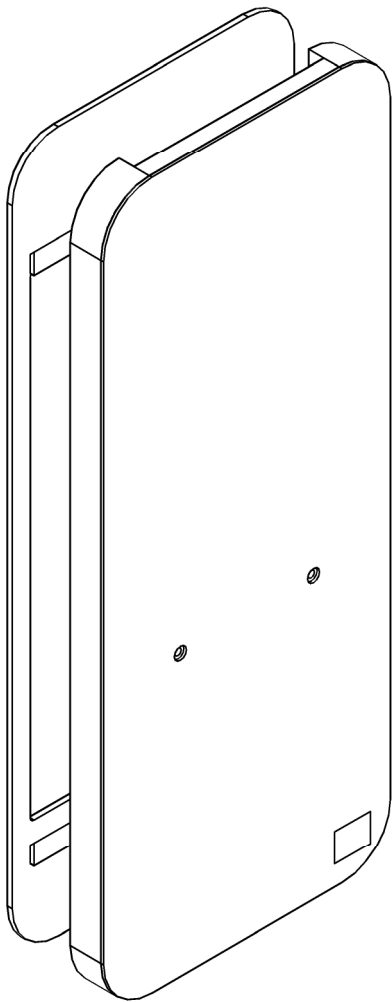
**REM**

T: 01282 619977  
 F: 01282 619617

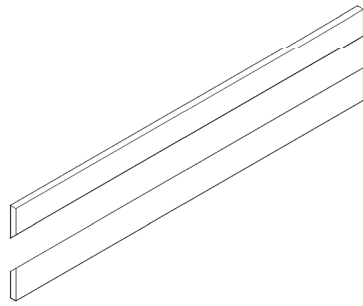
Paragon Island Unit  
 05532 (+05536)

Component Details – page 1/2  
 Date: 12/02/2009 – Edition 1  
 Produced by: PP

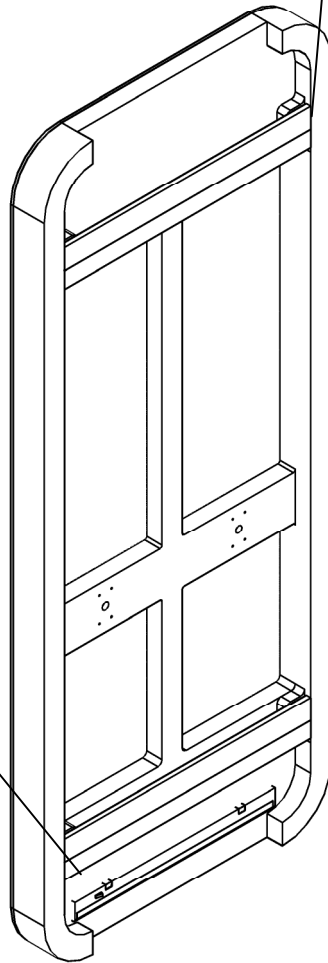




A

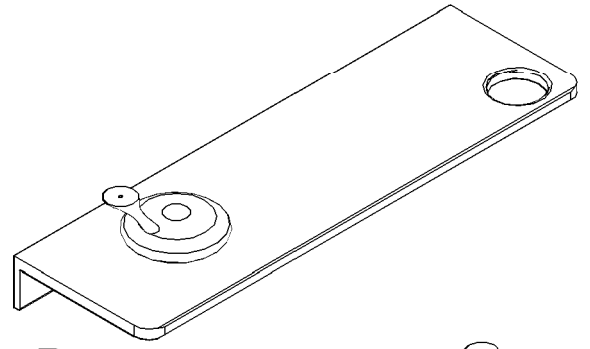


NOTE: 2 x baton sets for wall fixing

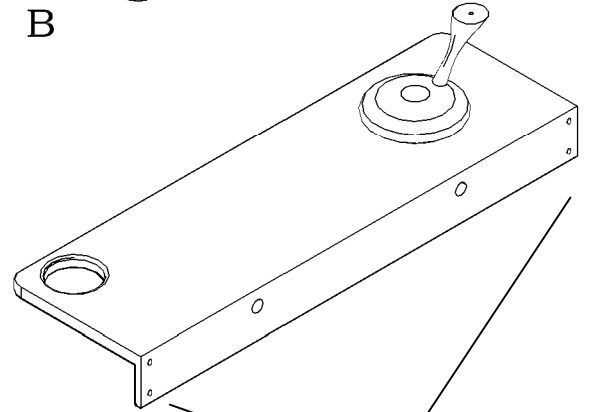


Striplights attached to base of units only for Island Positions.

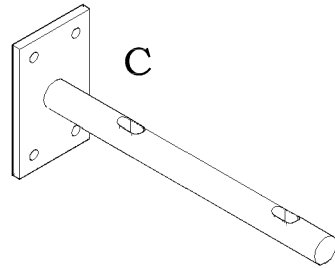
Note: any wall fixings provided may not be suitable for all wall types – wall dependent.



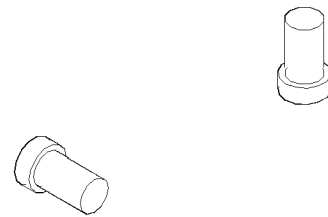
B



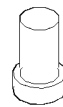
Rubber buffers on rear of shelf



C



D



E

COMPONENTS FOR 1 UNIT (2 X UNITS PER ISLAND)

- A : Mirror & Framework  
 1 x striplight  
 2 x wall baton sets  
 1 x chrome edge piece

- B : Cast Shelf & Vase Feature (optional)

- C : Shelf Brackets x 2  
 D : 4.5mm x 20mm wood screw x 8  
 E : M6 x 25mm set screw x 2

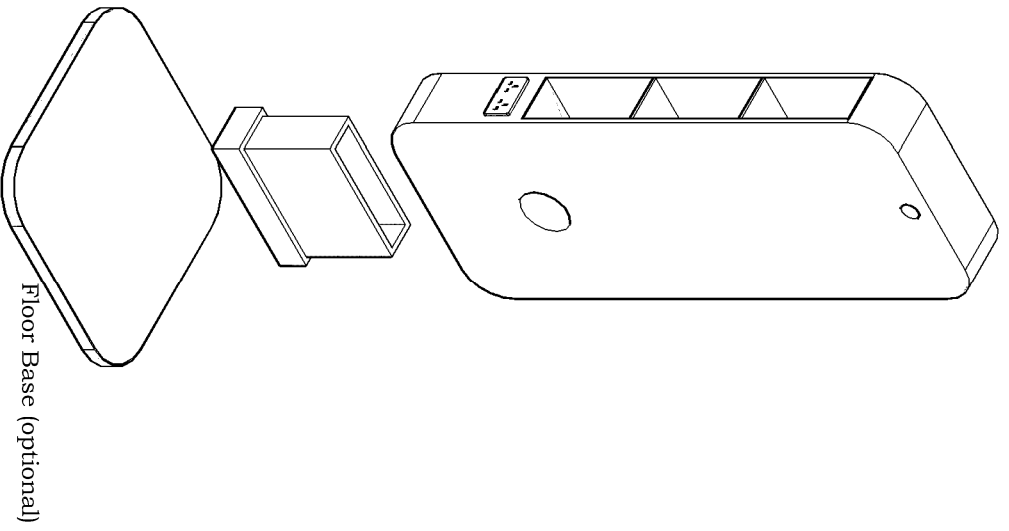
**REM**

T: 01282 619977  
 F: 01282 619617

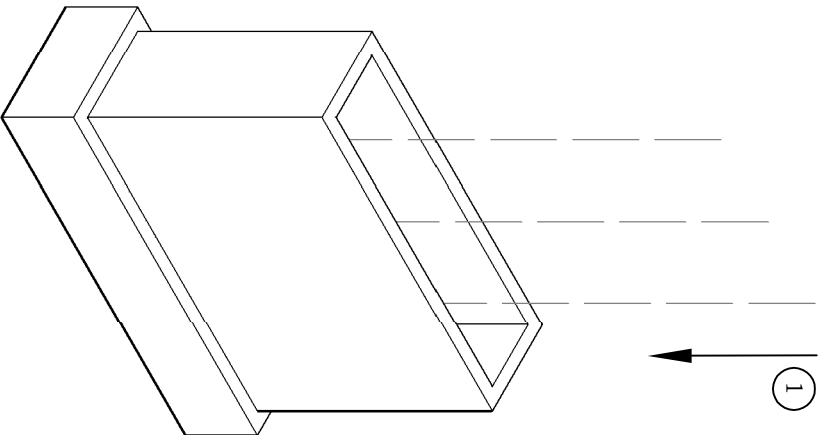
Paragon Island Unit  
 05532 (+05536)

Component Details – page 2/2  
 Date: 12/02/2009 – Edition 1  
 Produced by: PP

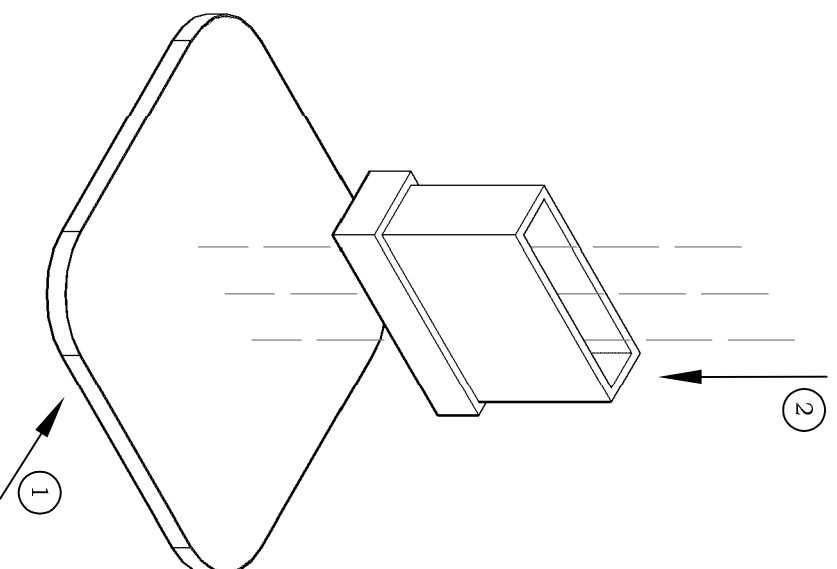




1. Carefully unwrap components from Components Page 1 and ensure all pieces are in order.



2a. Without Floor Base option (C):  
Securely fix Base Support (B) to floor where required [1]  
(No fixings provided – floor dependent)



2b. With Floor Base option (C):  
Position Floor Base (C) in required position and use adjustable feet to underside to make horizontal [1]. Securely fix Base Support (B) central to Floor Base (2).  
(No fixings provided)

# REMI

T: 01282 619977  
F: 01282 619617

Paragon Island Unit

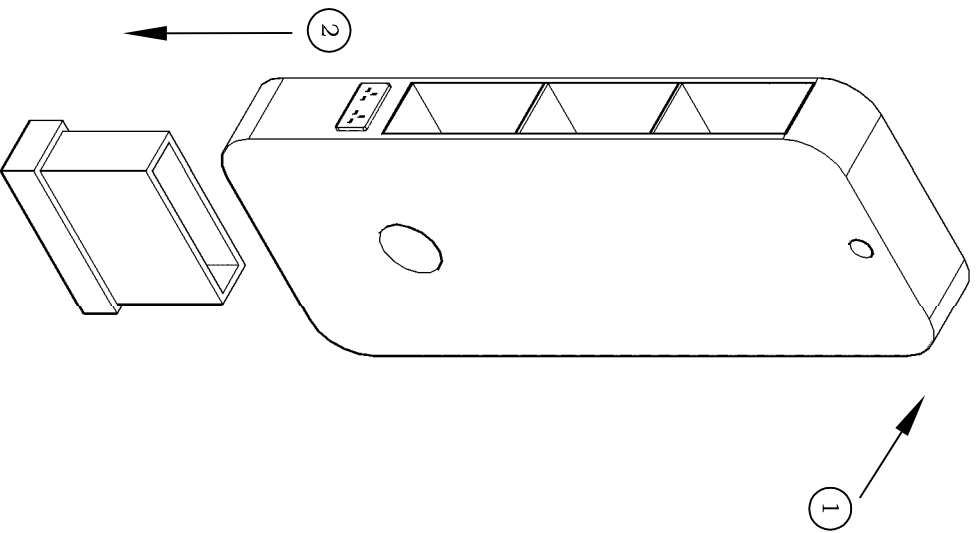
05532 (+05536)

Assembly Instruction Sheet 1/5

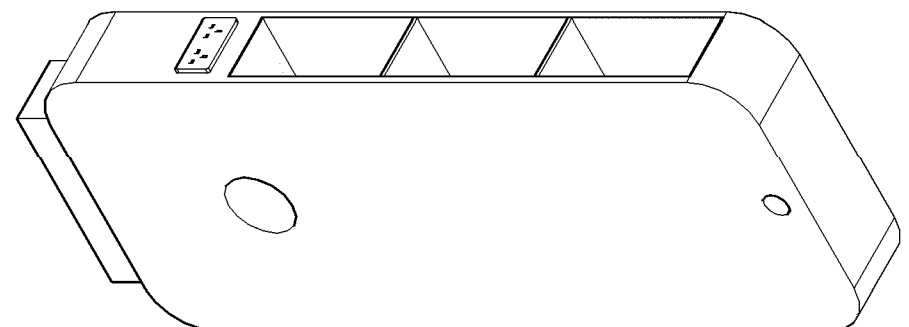
Date: 12/02/2009 – Edition 1

Produced by: PP

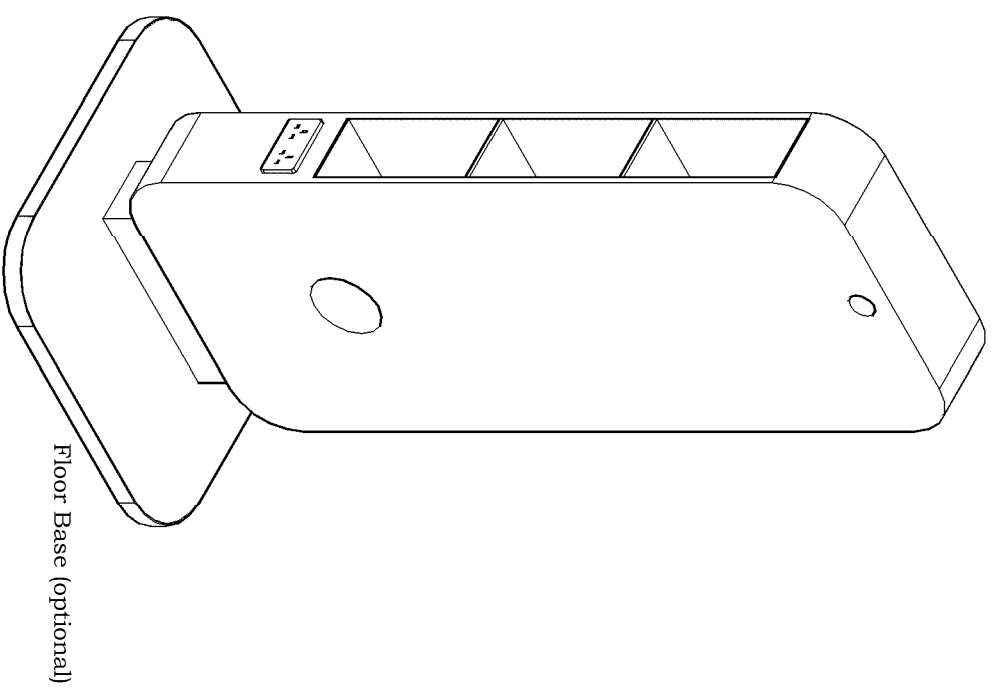




3. Recommended 2 person required for this operation:  
 Carefully position Island Unit Column (A) over Base Support (B) [1] and lower down into place to secure [2].



4. Island Unit Columns should now be securely in position, with or without optional Floor Base (C).



# REMI

T: 01282 619977  
 F: 01282 619617

Paragon Island Unit

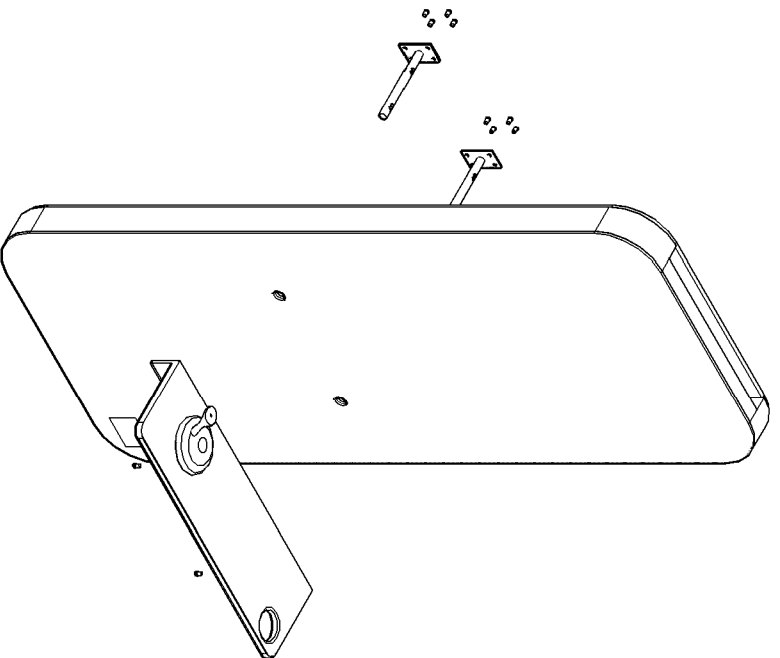
05532 (+05536)

Assembly Instruction Sheet 2/5

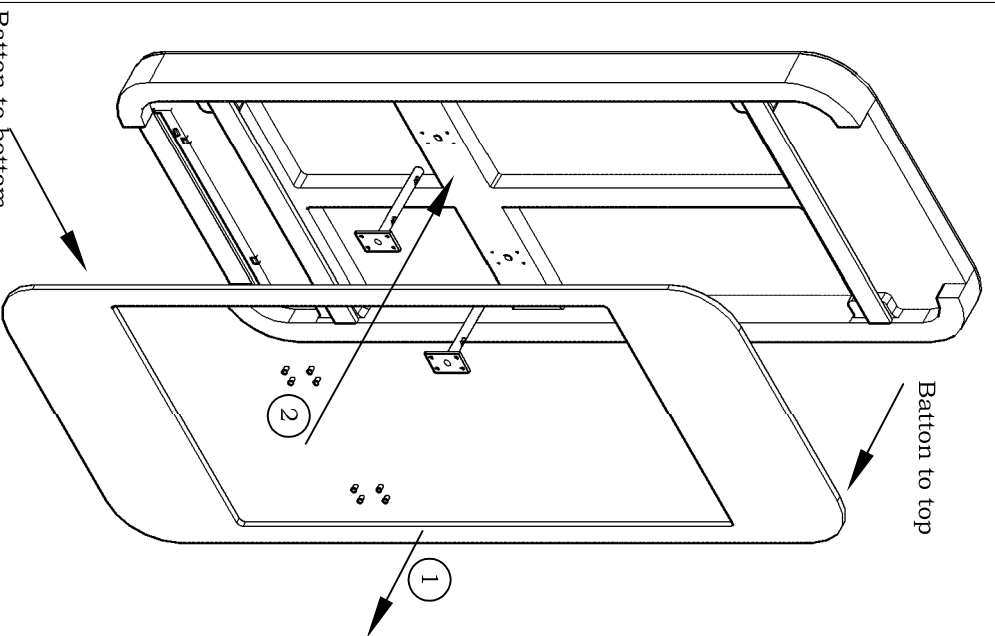
Date: 12/02/2009 – Edition 1

Produced by: PP

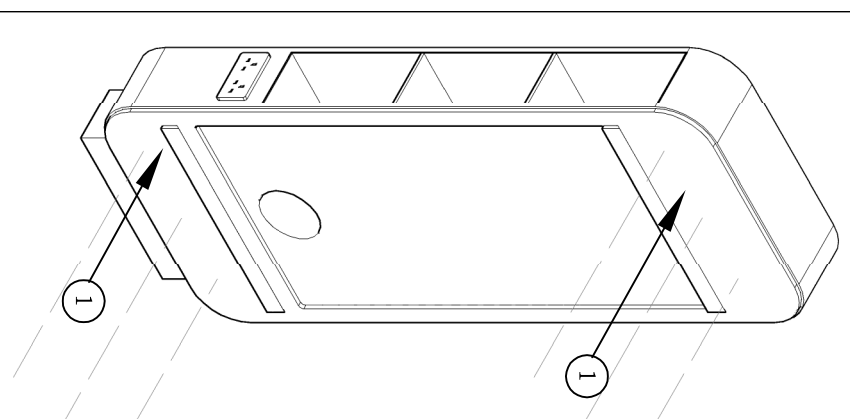




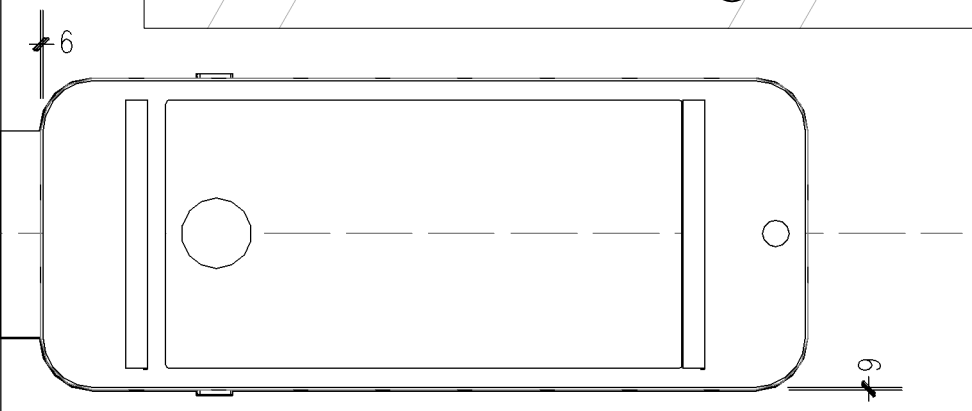
5. Carefully unwrap components from Components Page 2 and ensure all pieces are in order.



6. Carefully remove the rear chrome panel from the back of the unit (screwed into place for transport) ensuring bottom battons remain attached to chrome panel [1].  
 Insert Shelf Brackets (C) through back of Mirror & Framework (A) securely fastening into place using wood screws (D) [2].  
 – Repeat process for second unit.



7. Securely fix chrome panel & battons from stage 6 to Island Column using recommended dimensions detailed above [1]. (6mm gap around all edges)  
 (No fixings provided)  
 – Repeat process for second unit.



# REMI

T: 01282 619977  
 F: 01282 619617

Paragon Island Unit

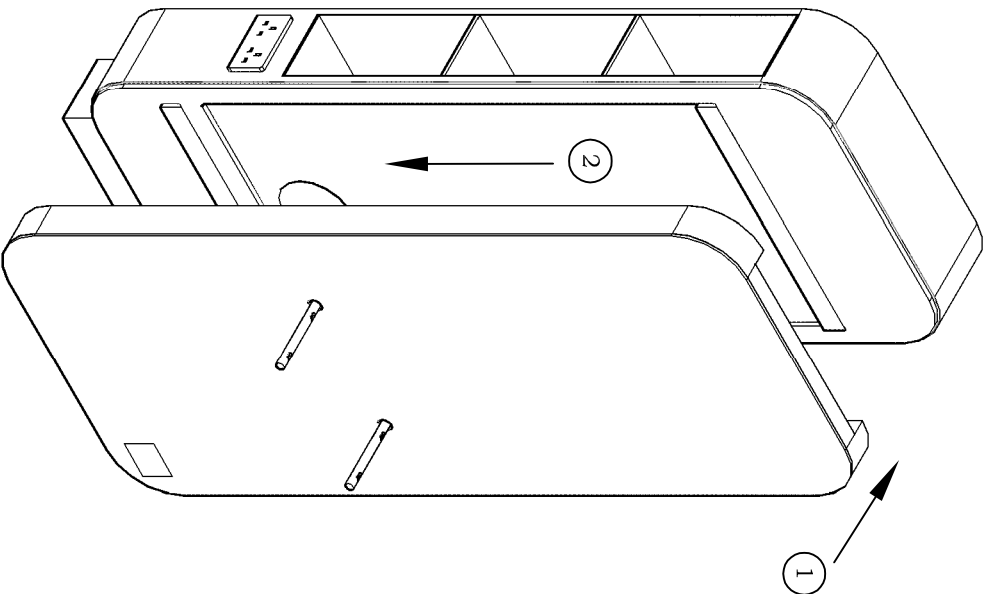
05532 (+05536)

Assembly Instruction Sheet 3/5

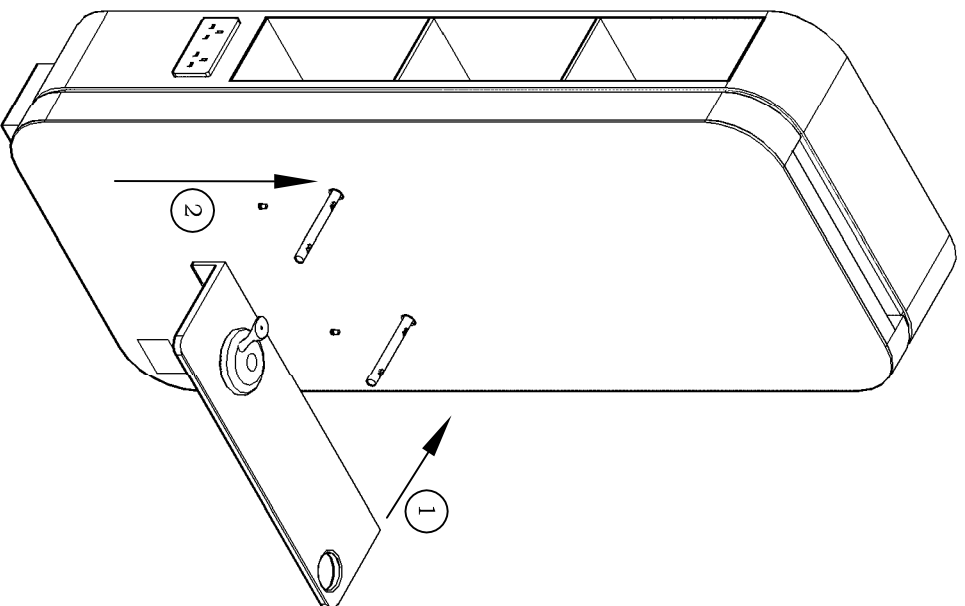
Date: 12/02/2009 – Edition 1

Produced by: PP

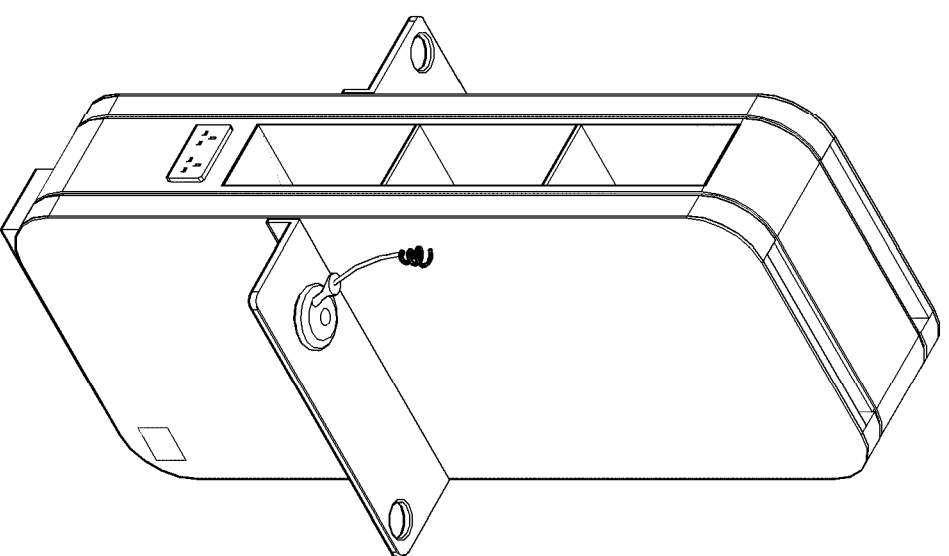




8. Striplights, spotlights & sockets to be installed by qualified electrician only, all wires/connections etc. to be hidden in void behind mirror. (ensure switches on striplights are turned on before mounting units onto column) (see sheet 5 for electric spec.) Recommended 2 person required for this operation:  
 Hang unit onto wall batons with care. Place unit above fixings from stage 7 [1] and drop down into place to secure [2].  
 – Repeat process for second unit.



9. Carefully slide Cast Shelf (B) over Shelf Brackets (C) [1] and fix into place using screws (E) [2]  
 – Repeat process for second unit.



6. Unit Complete  
 \*NOTE: Vase decorations are not included with unit. (if assembling more than 1 Island Unit in a straight run, recommended spaces are 1220mm centre to centre)

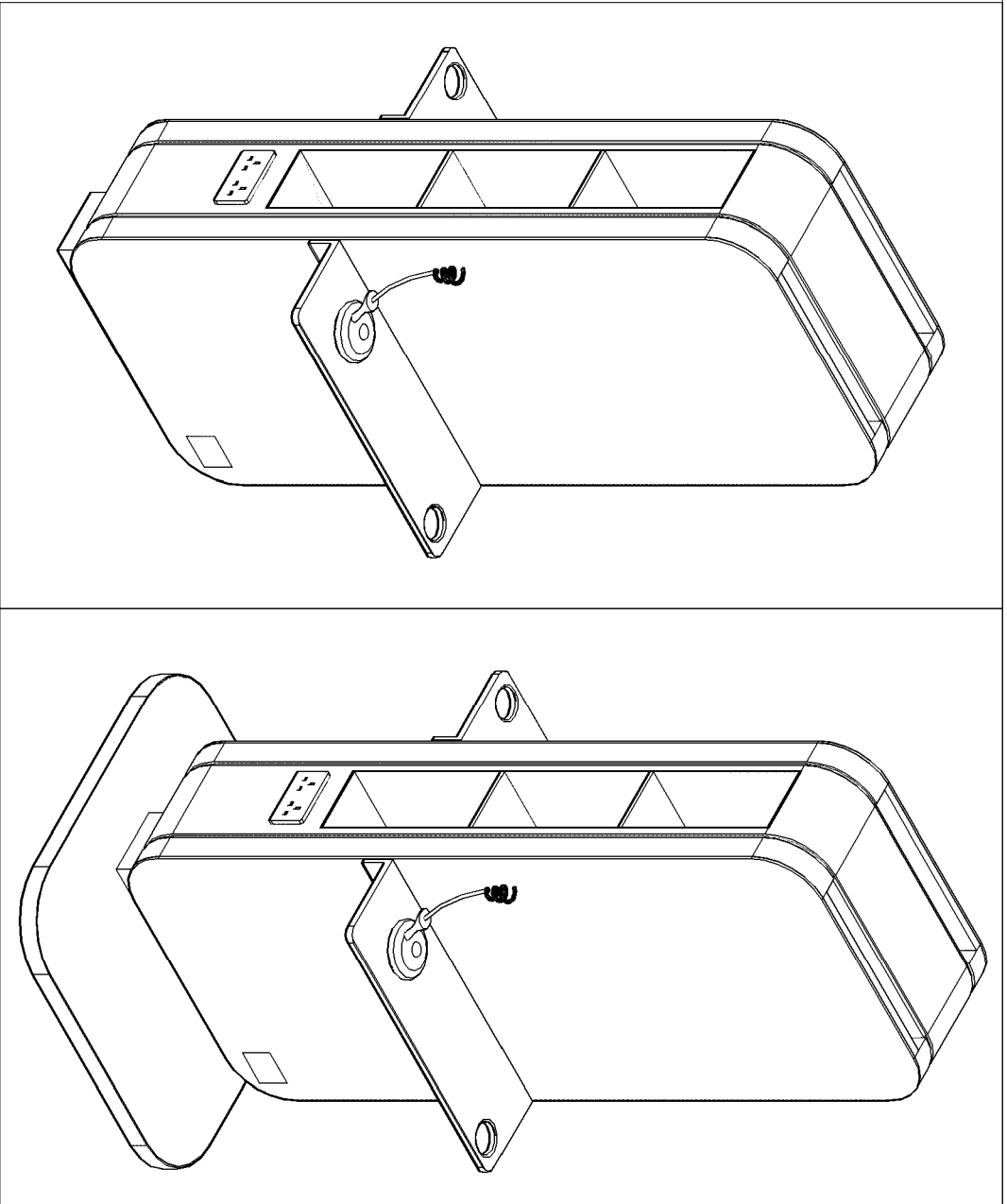
# REMI

T: 01282 619977  
 F: 01282 619617

Paragon Island Unit  
 05532 (+05536)

Assembly Instruction Sheet 4/5  
 Date: 12/02/2009 – Edition 1  
 Produced by: PP





#### Electrical Options

The Paragon Island Unit is supplied with feature strip lights & spot lights. These lights must be installed, inspected, and tested by qualified personnel to meet the 'Requirements for Electrical Installations, IEE Wiring Regulations, 16th Edition'. Advice on further periodic inspection and testing should be sought from the technician carrying out the initial installation. Once installed, movement of the unit, modifications, repairs etc. should only be carried out in accordance with the contents of this notice.

Paragon Island Unit

05532 (+05536)

Assembly Instruction Sheet 5/5

Date: 12/02/2009 – Edition 1

Produced by: PP

# IREMI

T: 01282 619977  
F: 01282 619617

