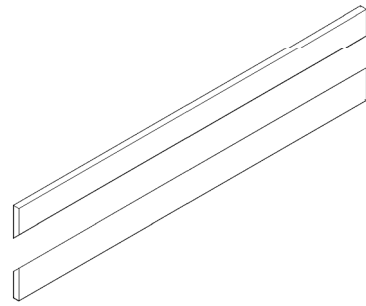
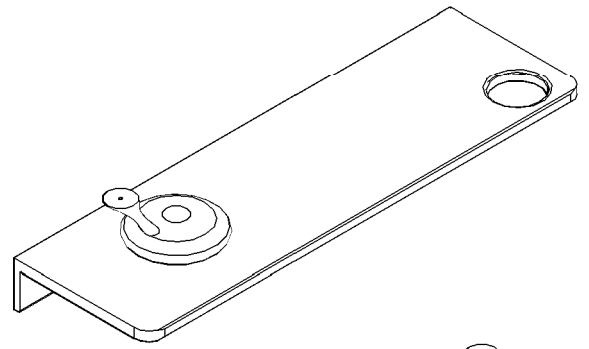


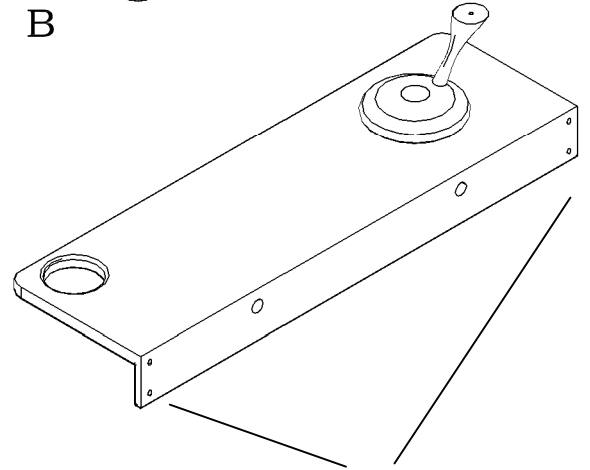
A



NOTE: 2 x baton sets  
for wall fixing

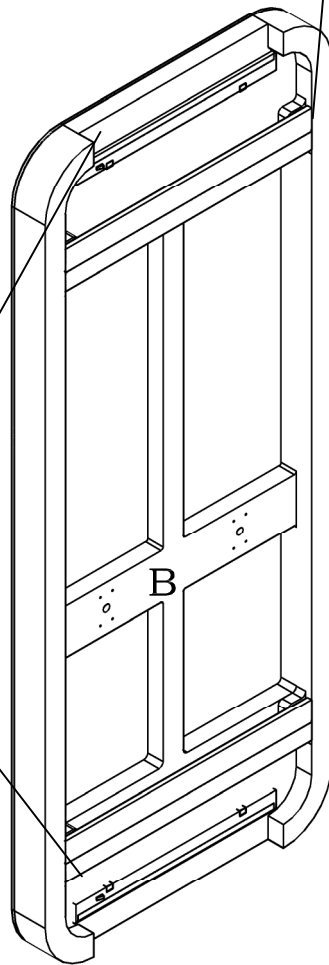


B

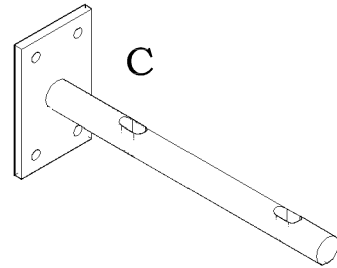


Rubber buffers on rear of shelf

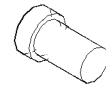
Striplights attached to unit



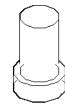
B



C



D



E

Note: any wall fixings provided may not be suitable for all wall types - wall dependent.

- A : Mirror & Framework  
 2 x stiplights  
 2 x wall baton sets  
 1 x chrome edge piece  
 B : Cast Shelf & Vase Feature (optional)

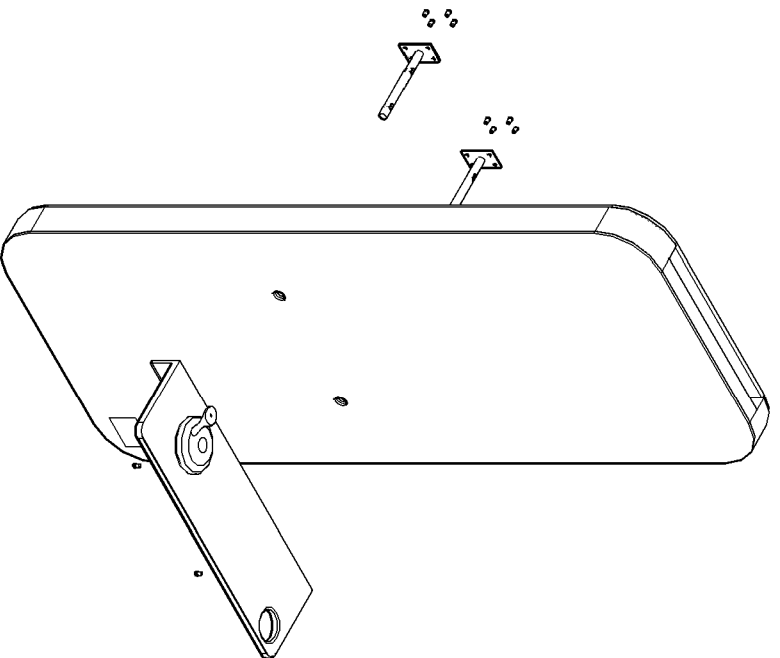
- C : Shelf brackets x 2  
 D : 4.5mm x 20mm wood screw x 8  
 E : M6 x 25mm set screw x 2

**REM**

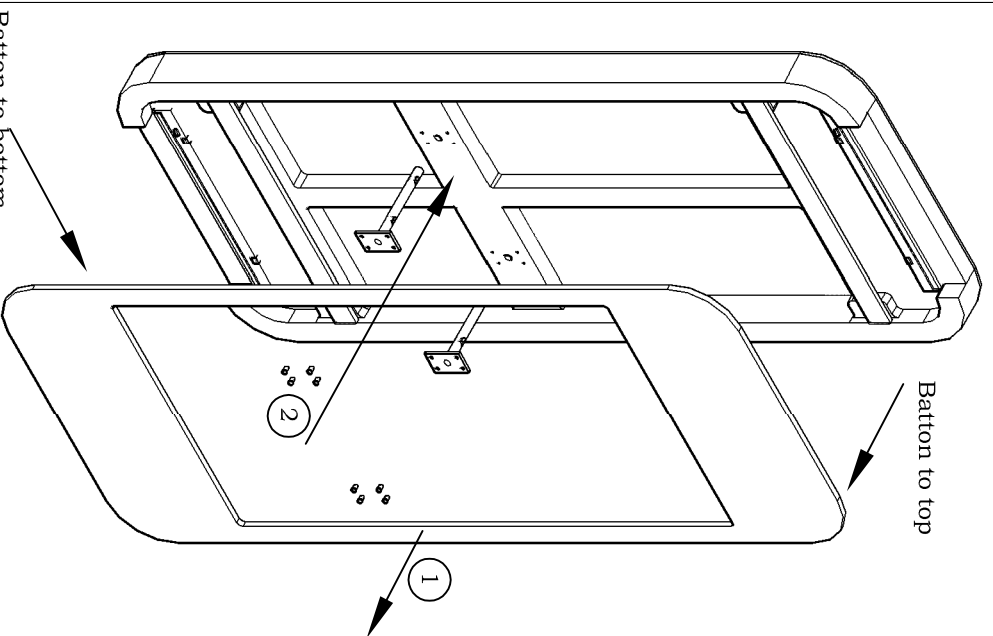
T: 01282 619977  
 F: 01282 619617

Paragon Styling Unit  
 05530  
 Component Details  
 Date: 12/02/2009 – Edition 3  
 Produced by: PP

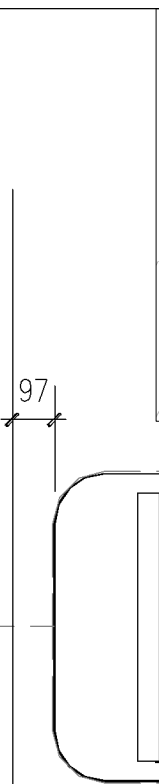
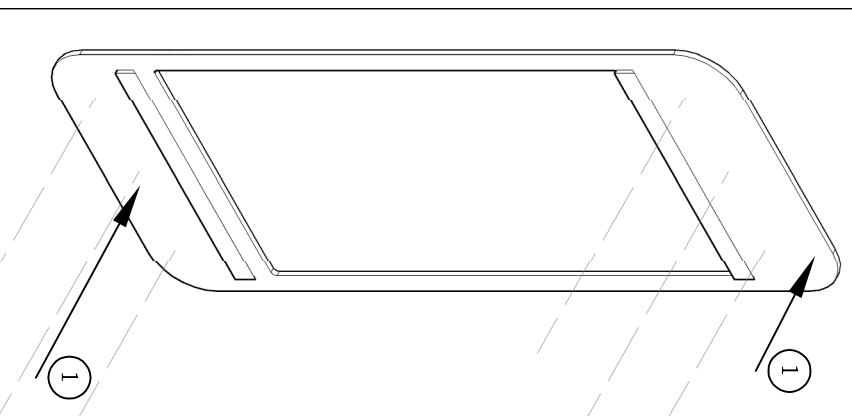




1. Carefully unwrap components and ensure all pieces are in order.



2. Carefully remove the rear chrome panel from the back of the unit (screwed into place for transport) ensuring bottom battons remain attached to chrome panel [1]. Insert Shelf Brackets (C) through back of Mirror & Framework (A) securely fastening into place using wood screws (D) [2].



3. Securely fix chrome panel & battons from stage 2 to wall using recommended dimensions detailed above [1]. (No fixings provided – wall dependent)

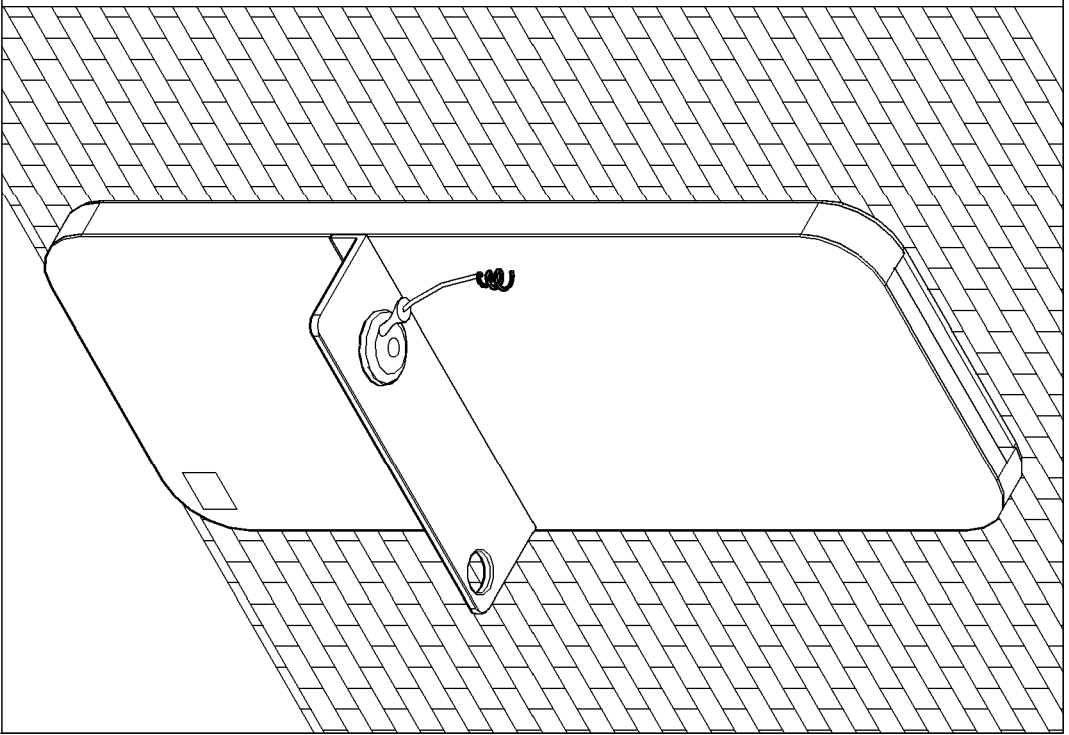
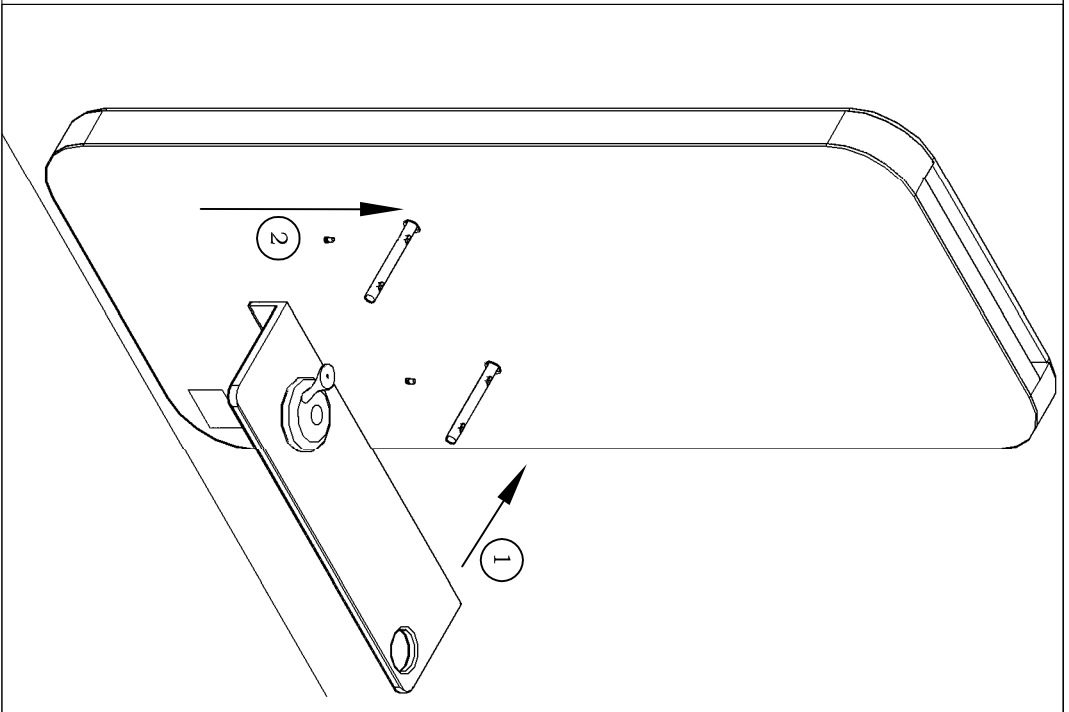
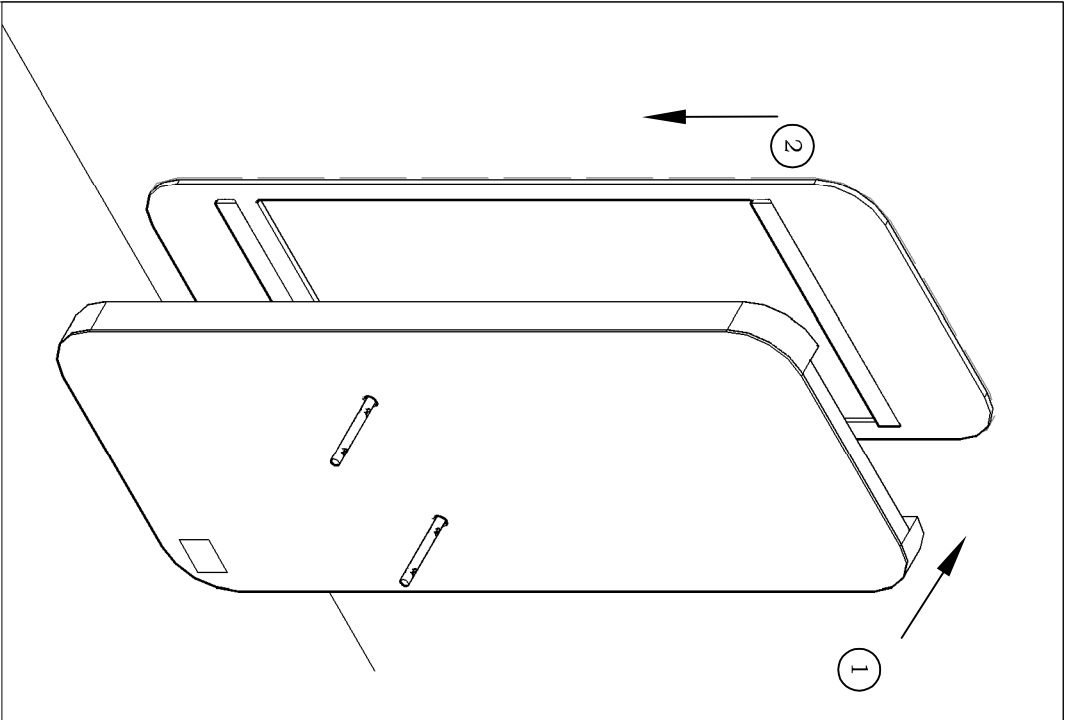
# REMI

T: 01282 619977  
F: 01282 619617

Paragon Styling Unit  
05530

Assembly Instruction Sheet 1/3  
Date: 12/02/2009 – Edition 3  
Produced by: PP

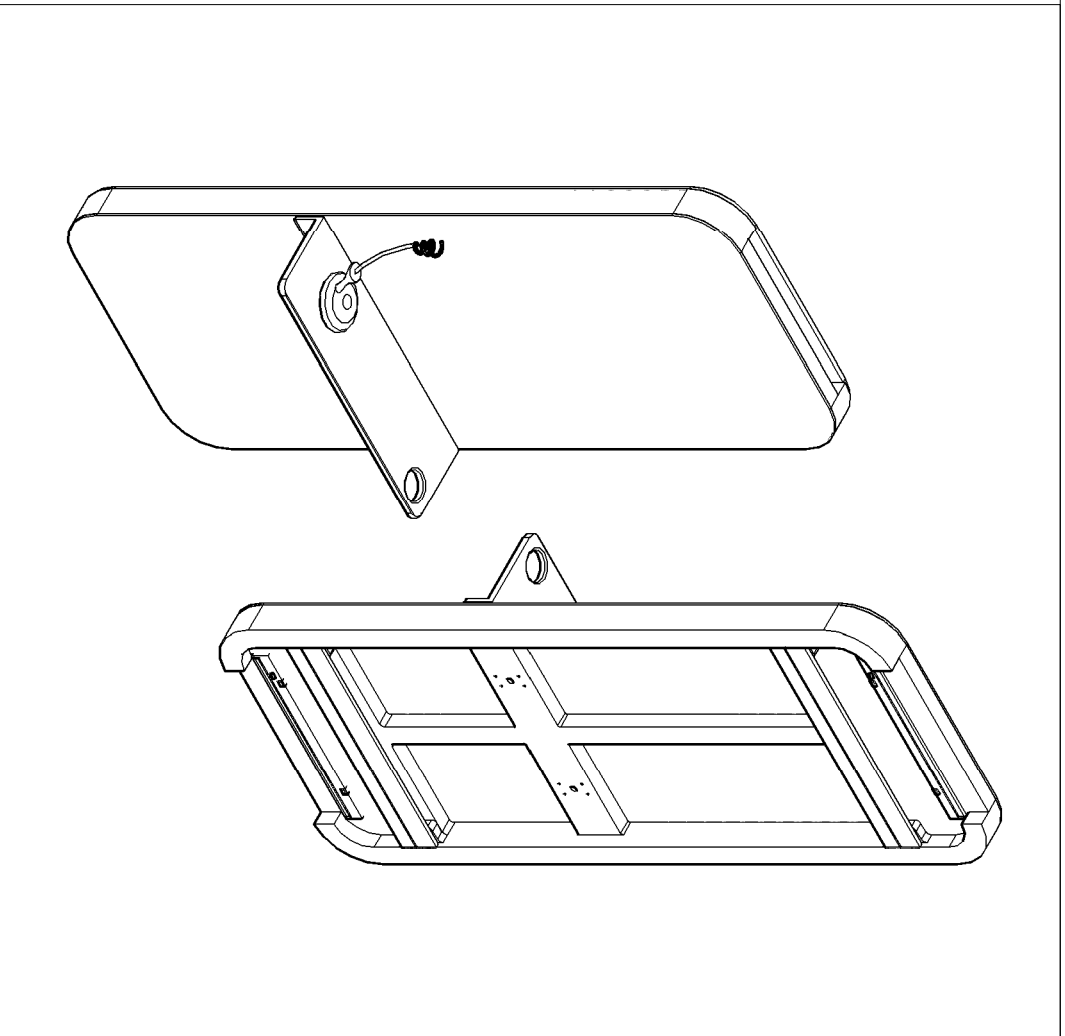




**REMI**

Paragon Styling Unit  
05530  
Assembly Instruction Sheet 2/3  
Date: 12/02/2009 – Edition 3  
Produced by: PP





#### Electrical Options

The Paragon Island Unit is supplied with feature strip lights. These lights must be installed, inspected, and tested by qualified personnel to meet the 'Requirements for Electrical Installations, IEE Wiring Regulations, 16th Edition'. Advice on further periodic inspection and testing should be sought from the technician carrying out the initial installation. Once installed, movement of the unit, modifications, repairs etc. should only be carried out in accordance with the contents of this notice.

Paragon Styling Unit  
05530

Assembly Instruction Sheet 3/3  
Date: 12/02/2009 – Edition 3  
Produced by: PP

# PREMI

T: 01282 619977  
F: 01282 619617

