

T: 01282 619977
F: 01282 619617

Pure Desk: generic instructions

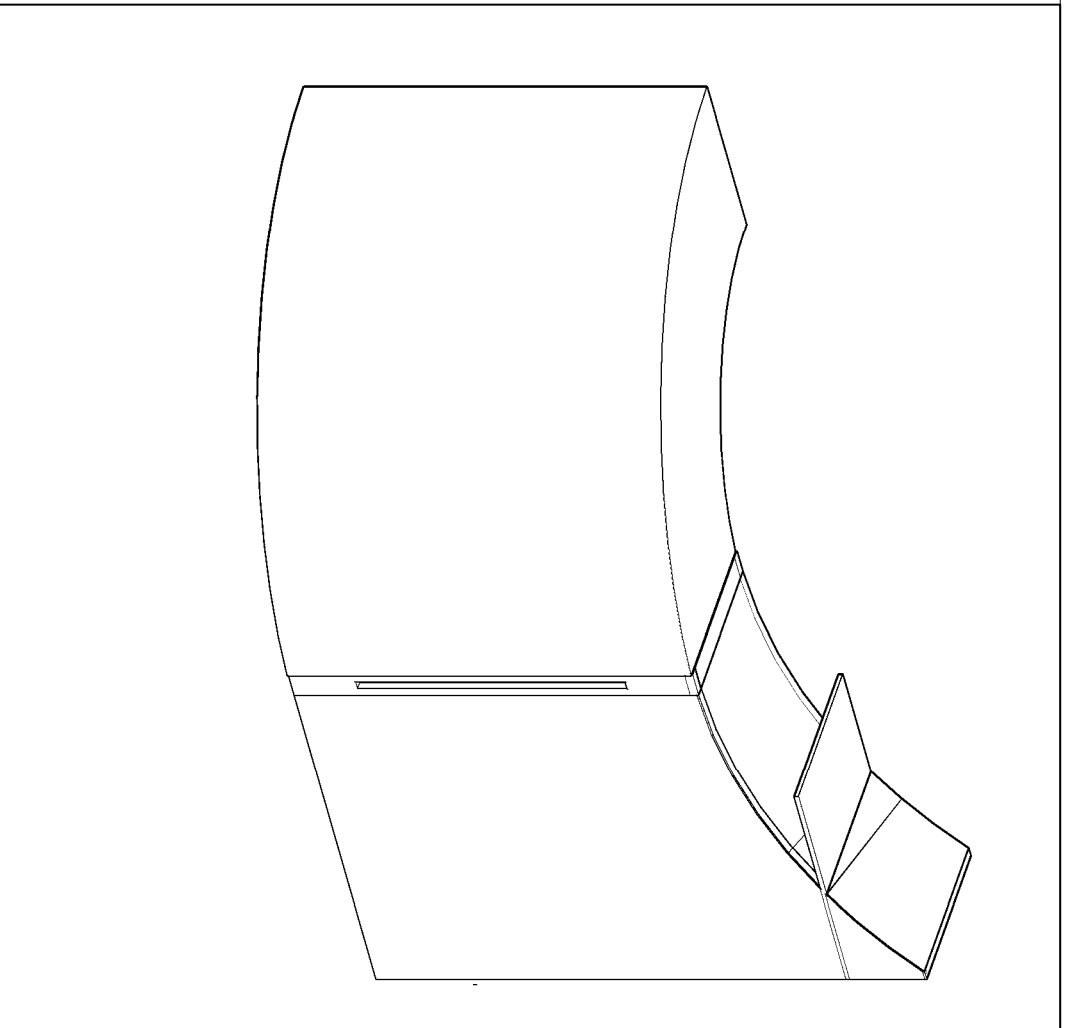
05521

Assembly Instruction Sheet 1/4

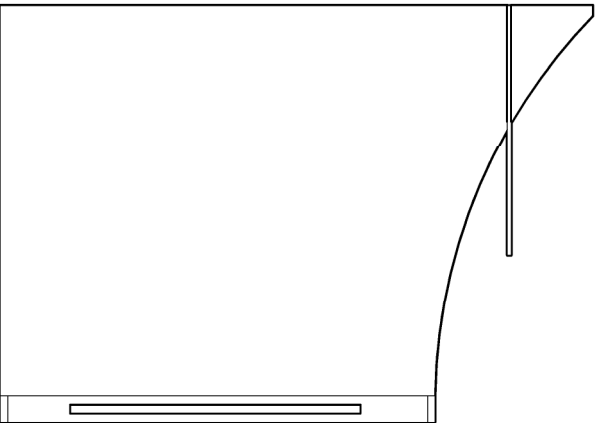
Date: 30/06/2010 – Edition 2

Produced by: HT

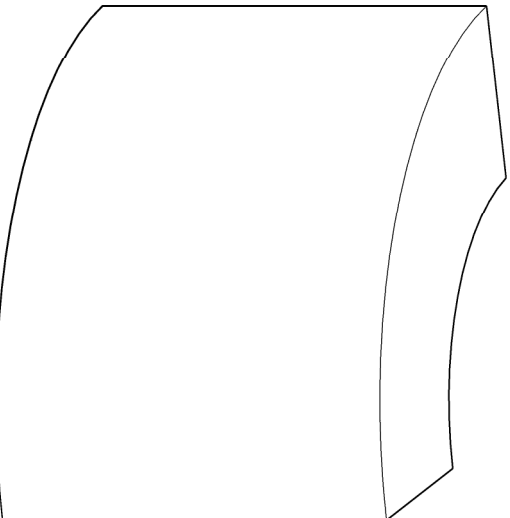
The 2 lights within the pure desk operate through one transformer at 220 /240v



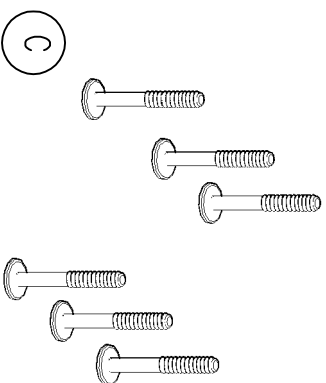
This desk must be installed, inspected, and tested by qualified personnel to meet the 'Requirements for Electrical Installations, IEE Wiring Regulations, 16th Edition.' Advice on further periodic inspection and testing should be sought from the technician carrying out the initial installation. Once installed, movement of the unit, modifications, repairs etc. should be carried out in accordance with the contents of this note.



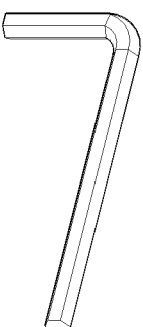
A



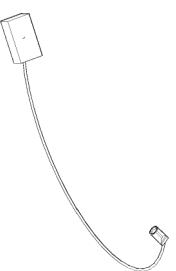
B



C



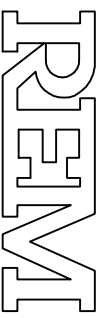
D



E

NOTE: Pure Desk instruction details demonstrate the assembly process for a left and right handed option.

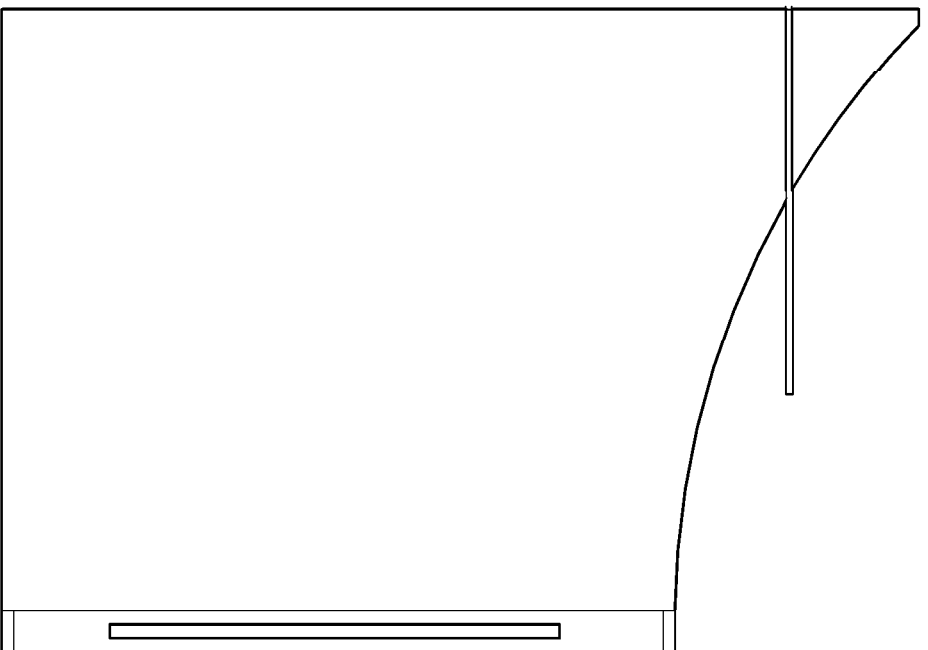
- A: Desk Straight Section
- B: Desk Curved Section
- C: Bronze Connection Bolts
- D: Allan Key
- E: Lead Connector



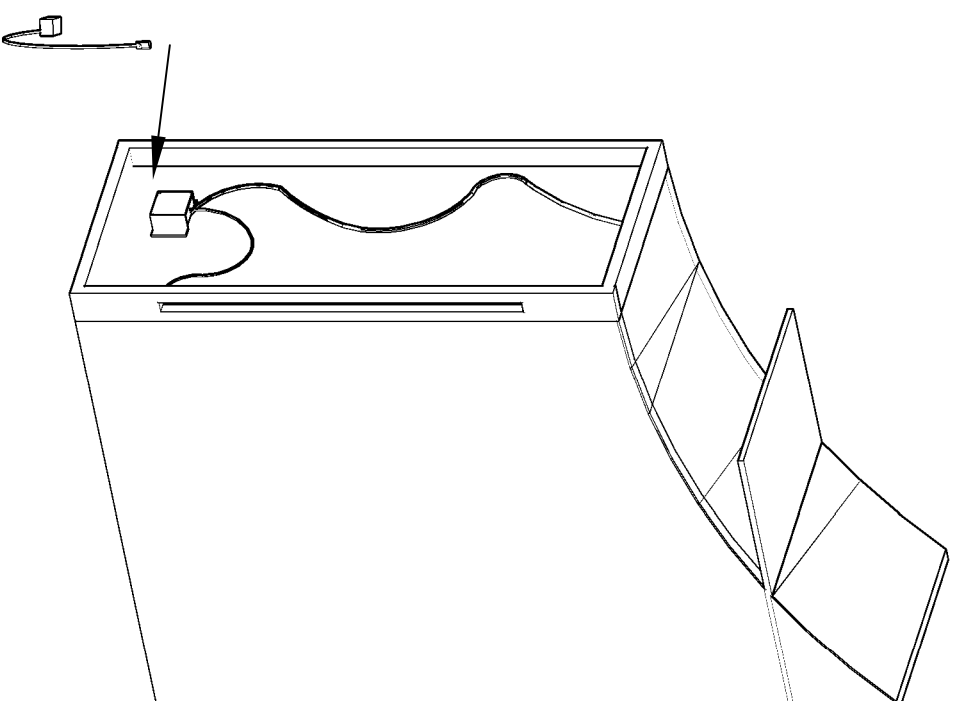
T: 01282 619977
F: 01282 619617

Pure Desk: Content sheet
05521

Assembly Instruction Sheet 2/4
Date: 30/06/2010 – Edition 2
Produced by: HT



1) Position straight section A. Ensure it is level by adjusting the feet.



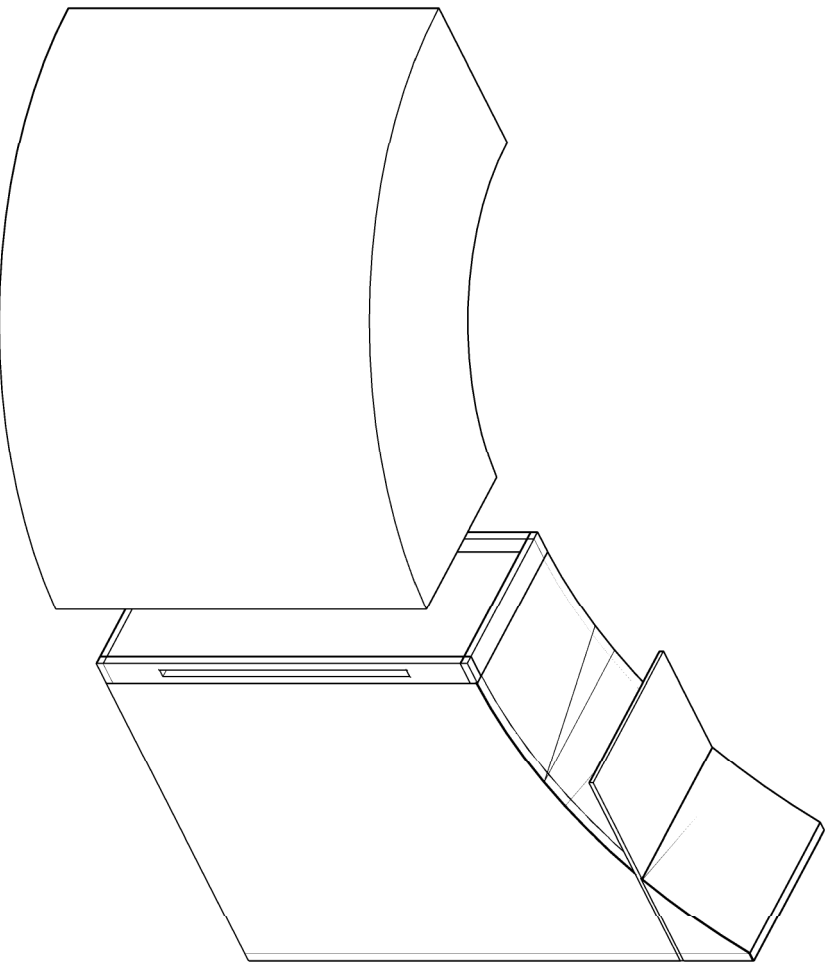
2) Connect wire E to straight section A .

IREMI

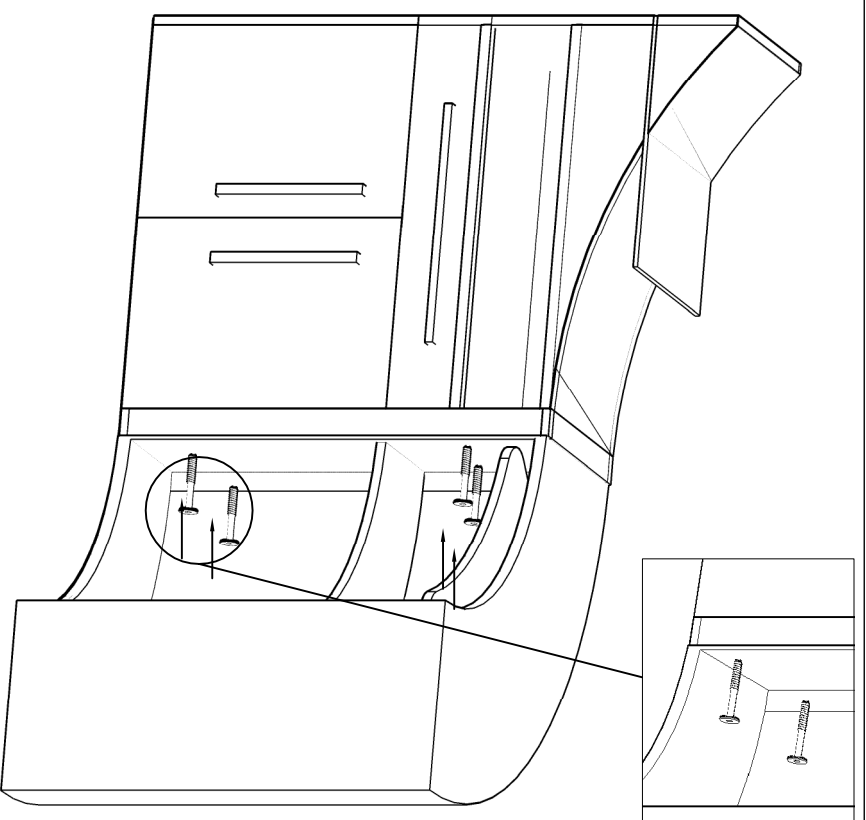
T: 01282 619977
F: 01282 619617

Pure Desk: generic instructions
05521

Assembly Instruction Sheet 3/4
Date: 30/06/2010 – Edition 2
Produced by: HT



3) Offer the curved section B up to A. Ensure the wire is not trapped, if the curved section is not level it can be adjusted using the adjusted feet.



4) Bolt sections A and B together using fixing bolts C. Locate and finger tighten all six bolts before fully-tightening with allen key D.

IREMI

T: 01282 619977
F: 01282 619617

Pure Desk: generic instructions
05521

Assembly Instruction Sheet 4/4
Date: 30/06/2010 – Edition 2
Produced by: HT