

Electrical Options

The Pure Wash Unit is supplied with an electrically operated basin (Vibrating seat and legrest are optional extras). These lights must be installed, inspected, and tested by qualified personnel to meet the Requirements for Electrical Installations, IEE Wiring Regulations, 16th Edition. Advice on further periodic inspection and testing should be sought from the technician carrying out the initial installation. Once installed, movement of the unit, modifications, repairs etc. should only be carried out in accordance with the contents of this notice.

WARNING: THIS APPLIANCE MUST BE EARTHED

As the colours of the wires in the mains lead may not correspond with the coloured markings identifying the terminals in your plug, proceed as follows:

The wire which is coloured green-and-yellow must be connected to the terminal in the plug which is marked with the letter E or by the earth symbol ↓ or coloured green or green-and-yellow.

The wire which is coloured blue must be connected to the terminal which is marked with the letter N or coloured black.

The wire which is coloured brown must be connected to the terminal which is marked with the letter L or coloured red.

WIRING REQUIREMENTS:

IT IS A MINIMUM REQUIREMENT THAT EACH CHAIR IS INDIVIDUALLY WIRED INTO A 3A SWITCH FUSED SPUR.

IT IS ALSO RECOMMENDED THAT THE UNITS ARE WIRED INTO AN RCD. (RESIDUAL CURRENT DEVICE)

IF WIRING TO A 3 PIN PLUG

This apparatus is earthed and it is imperative that only a 3-pin plug be fitted and a 5-amp fuse used. The wires in this mains lead are coloured in accordance with the following code:

- Green & Yellow – EARTH
- Blue – NEUTRAL
- Brown – LIVE

ENSURE NO INTERNAL WIRES / CABLES ARE TRAPPED OR OBSTRUCTED BEFORE USE.

LEG REST WARNING:

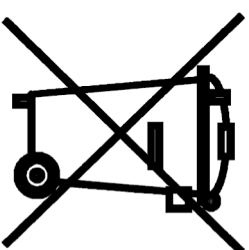
ENSURE HANDS, FEET AND ITEMS OF LOOSE CLOTHING ARE KEPT CLEAR OF THE LEG REST WHEN IN USE

PLUMBING WARNING:

WHEN PLUMBING THIS UNIT PLEASE ENSURE THAT THE BASIN IS AT ITS FULL HEIGHT AND THAT ALL PIPE WORK HAS CLEARANCE FROM THE MOVEABLE SHROUD.

THIS UNIT CONFORMS TO BS-EN 60335

REM REGISTRATION NO. WEE/BJ0066TW

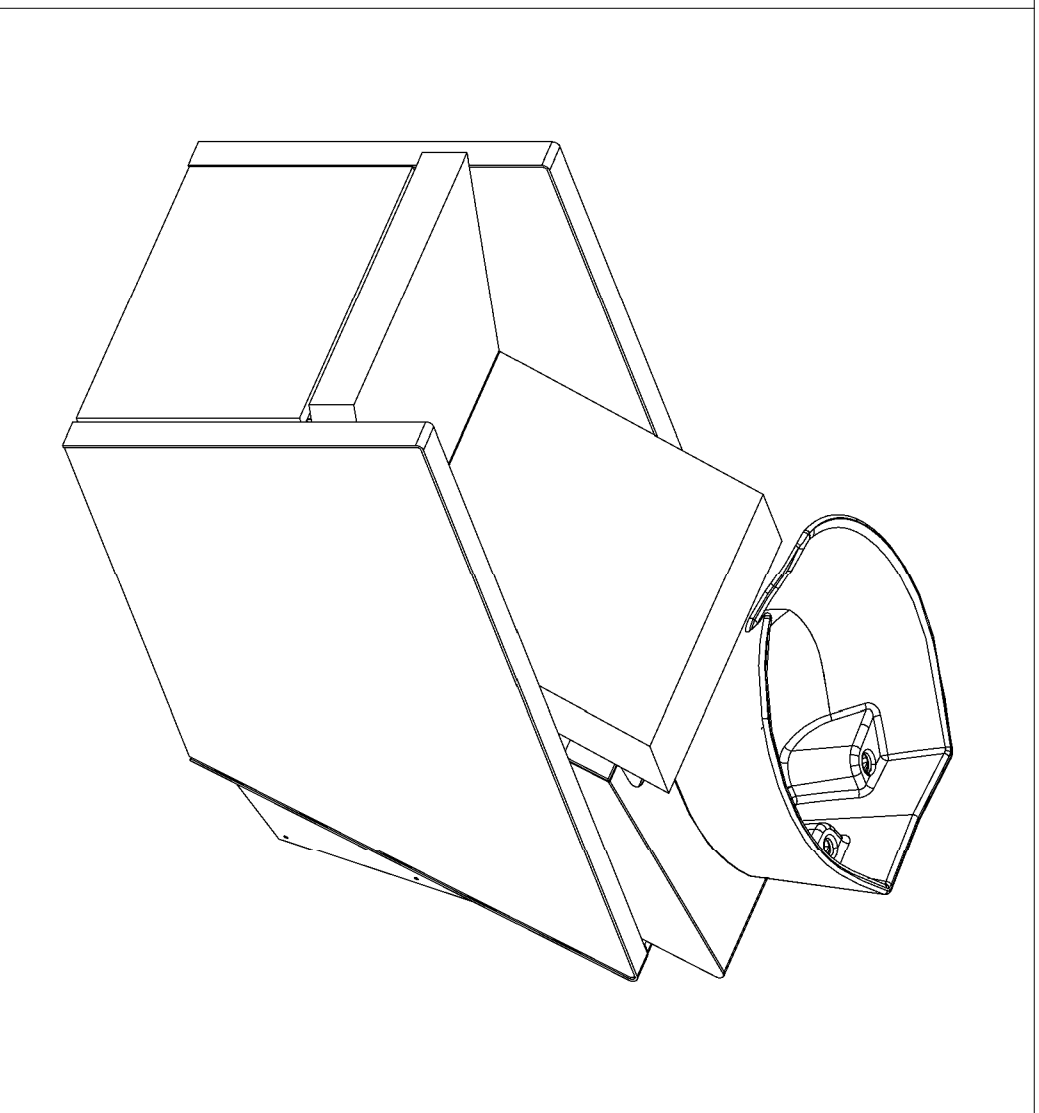


PURE WASH POINT: Instructions

REM

T: 01282 619977
F: 01282 619617

Assembly Instruction Sheet 1/7
Date: 02/08/2010 – Edition 3
Produced by: HT



This wash unit must be installed, inspected, and tested by qualified personnel to meet the 'Requirements for Electrical Installations, IEE Wiring Regulations, 16th Edition;' Advice on further periodic inspection and testing should be sought from the technician carrying out the initial installation. Once installed, movement of the unit, modifications, repairs etc, should be carried out in accordance with the contents of this note.

PURE WASH POINT:Instructions

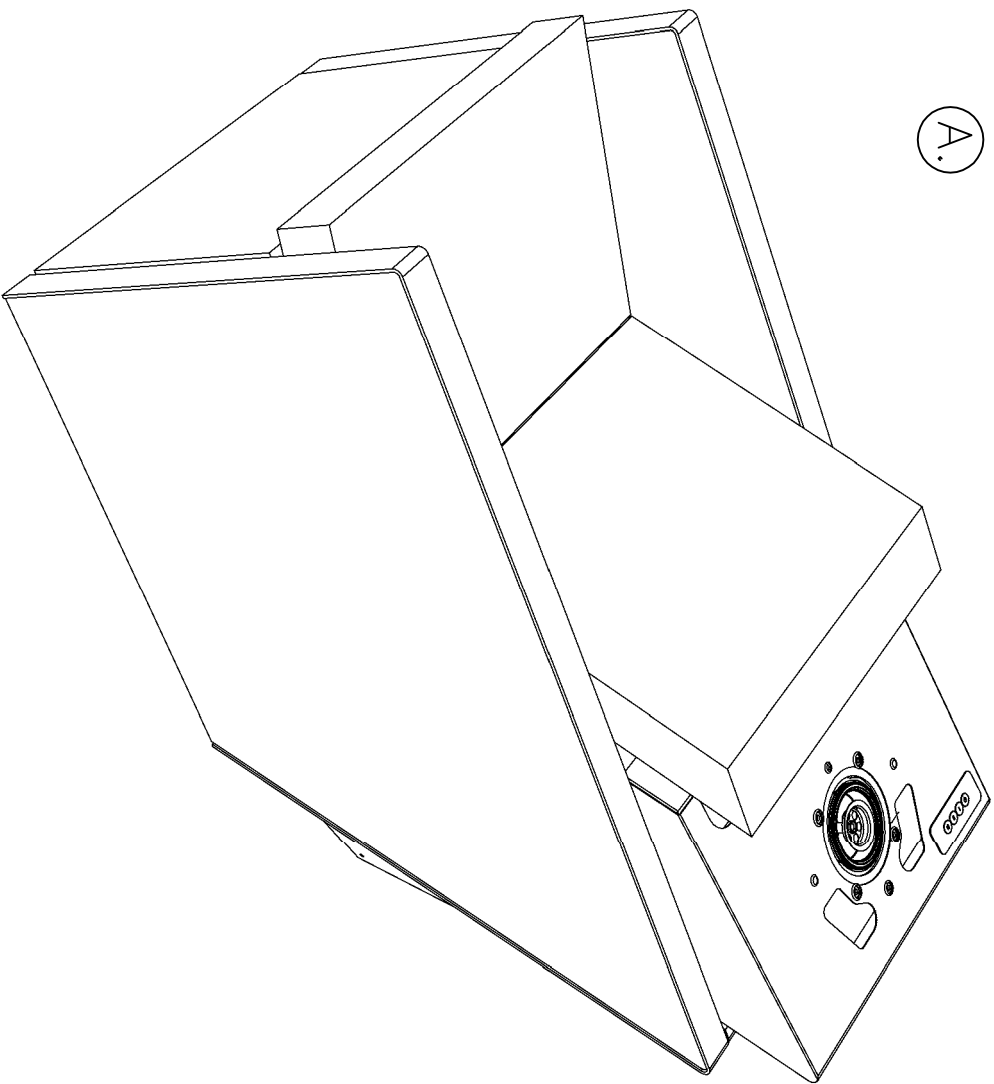
Assembly Instruction Sheet 2/7

Date: 02/08/2010 – Edition 3

Produced by: HT

IREM

T: 01282 619977
F: 01282 619617

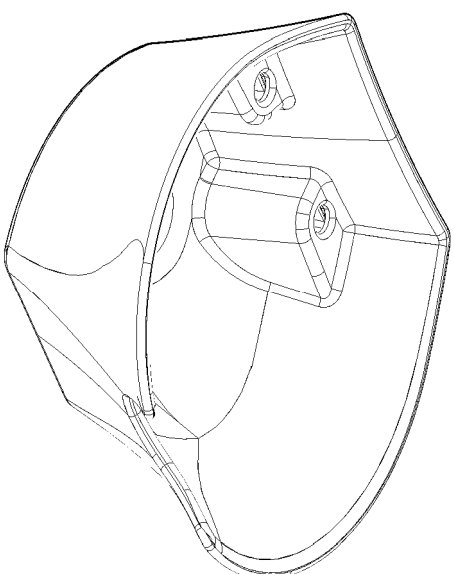


A.

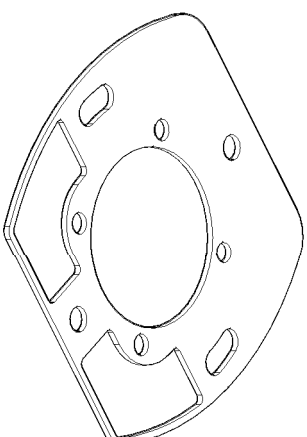
A : MAIN BODY

B : BASIN FITTED WITH MIXER VALVE

C : GASKET



B.



C.

PURE WASH POINT: Instructions

Assembly Instruction Sheet 3/7

Date: 02/08/2010 – Edition 3

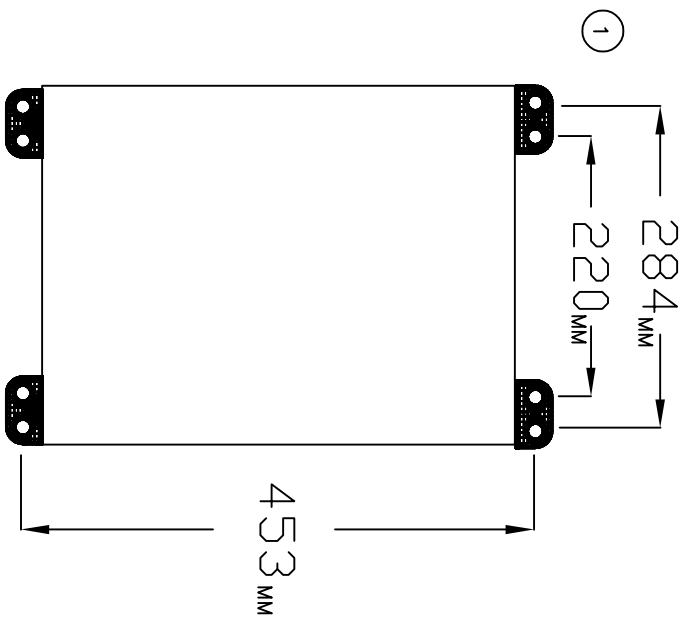
Produced by: HT

CONTENTS SHEET

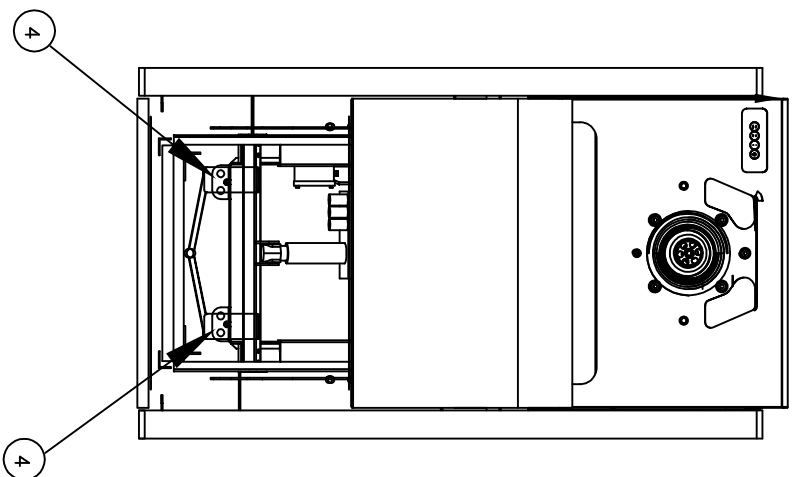
REEMT

T: 01282 619977
F: 01282 619617

TOP VIEW.



STEP ONE: Mark the floor using dimensions provided for the chassis fixing points.



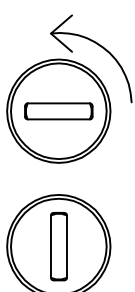
STEP TWO: Place the unit in position.

STEP THREE: Remove the upholstered seat.

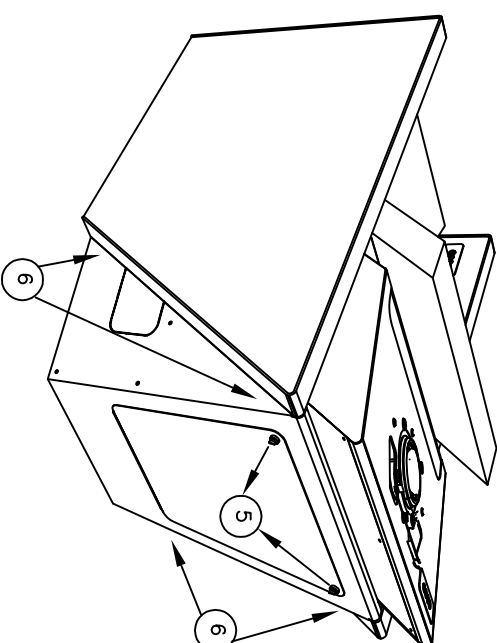
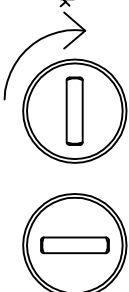
STEP FOUR: Unit must be bolted down before any other installation can be carried out as the unit will become unstable once the basin is fit.

fig.1

Turn anticlockwise 90° to unlock



Push and turn 90° clockwise to lock



STEP FIVE: To remove the rear access panel, push and turn the fixings, 90° to gain access to the inside of the unit.

STEP SIX: Remove the four internal socket cap-head bolts by using an allen key (not provided). Unhook the back panel C.

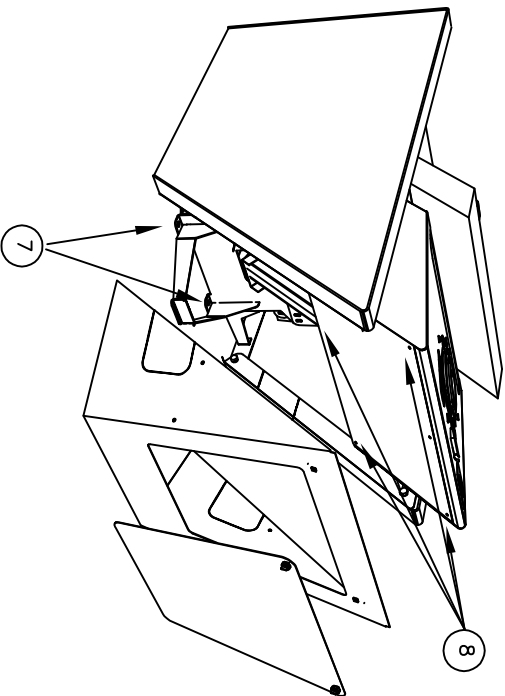
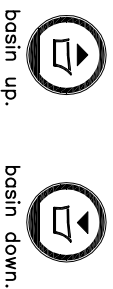
PURE WASH POINT: Instructions

REM

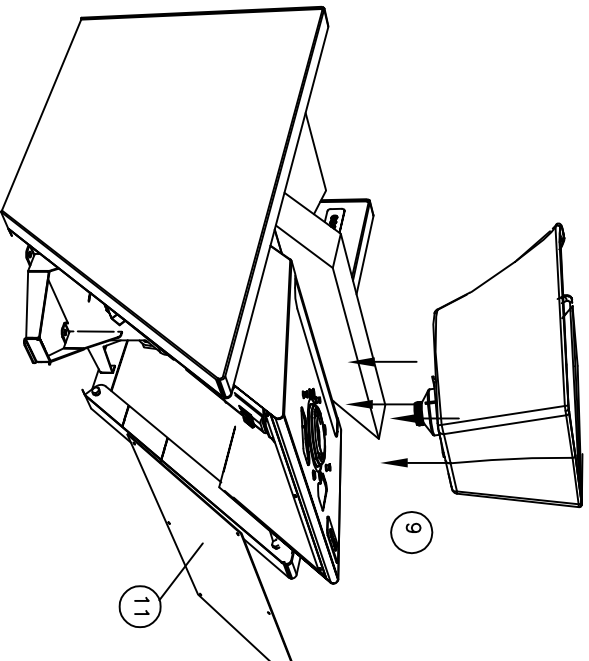
T: 01282 619977
F: 01282 619617

Assembly Instruction Sheet 4/7
Date: 02/08/2010 – Edition 3
Produced by: HT

fig.2



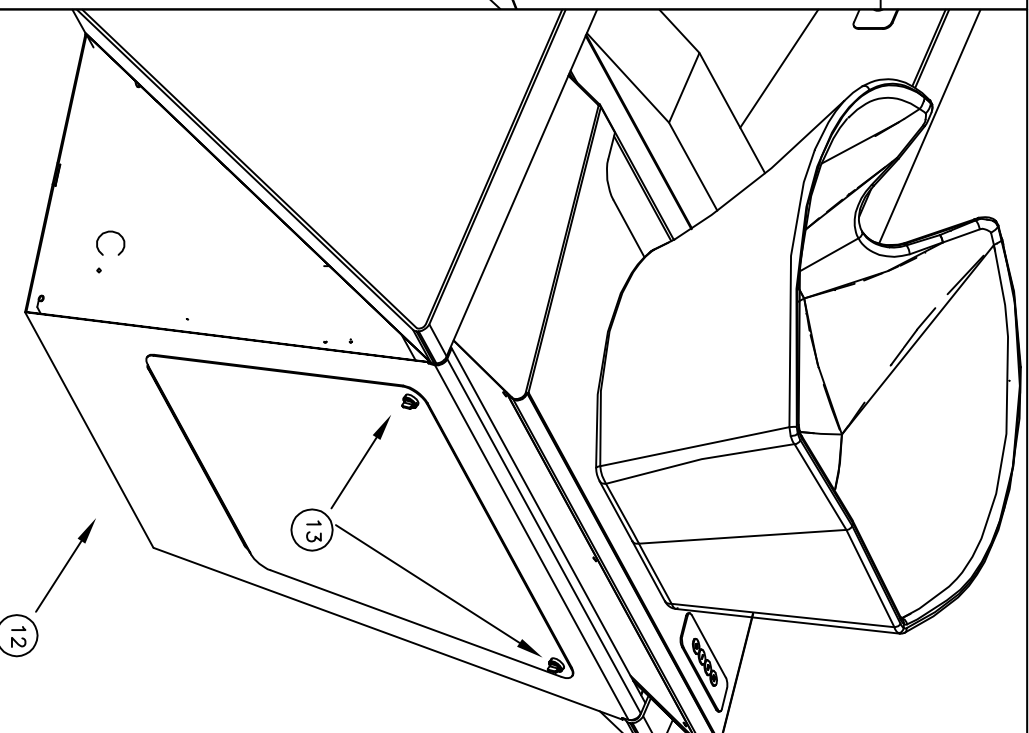
STEP SEVEN: Complete bolting the unit down by using the fixings holes at the rear of the chassis.
 STEP EIGHT: Remove 5 fixings using an allen key. This will allow access for fitting and plumbing the basin.



Warning 1 Before fitting the basin the unit must be electrically connected. Using the basin lift button on the shroud, press and hold until the basin is at its highest working position. (see fig.2)

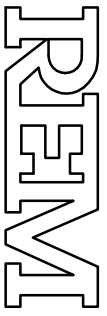
STEP NINE: To attach the basin (see basin fixing sheet sent with the basin.) Place the foam gasket used between the basin and stainless steel shroud. Silicone is optional and not provided.

STEP TEN: Attach waste pipes and plumb the unit.
 STEP ELEVEN: Replace shroud panel



STEP TWELVE: Replace panel C using internal bolts the top bolts must be a firm fix when model has the vibro option.
 STEP THIRTEEN: Wash point rear panel can be replaced with the push turn fixings. These will only work if they are pushed and then turned 90 degrees. (see fig.1 sheet 3)

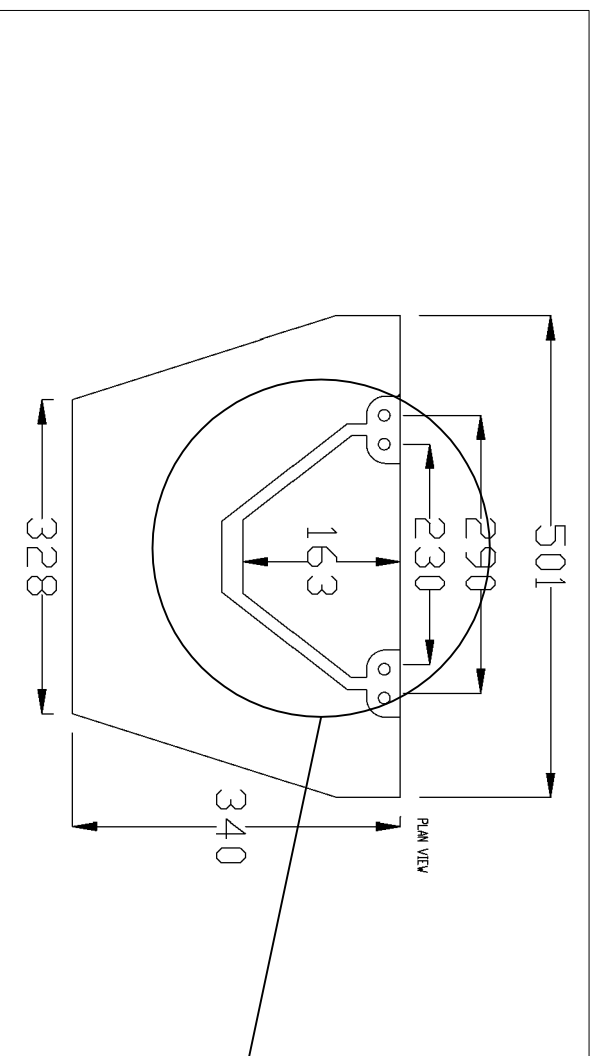
PURE WASH POINT: Instructions



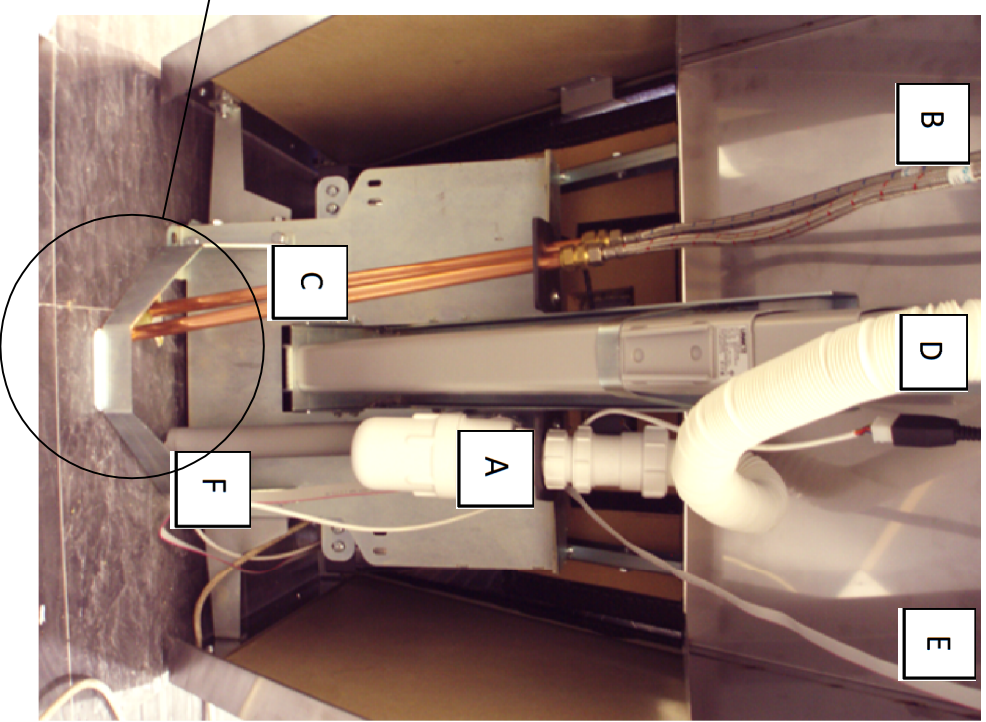
T: 01282 619977
 F: 01282 619617

Assembly Instruction Sheet 5/7
 Date: 2/08/2010 – Edition 3
 Produced by: HT

- A. BOTTLE TRAP A10A 1¼" (32mm)
- B. HOT AND COLD FLEXI TO FIT 15mm COPPER PIPE
- C. HOT AND COLD MAIN FEED 15MM COPPER PIPE
- D.FLAXI WASTE 32mm (1¼")
- E.RIBBON CABLE (CONNECTED TO KEY PAD)
- F. WASTE PIPE 32mm (1¼")



Waste height centre 360mm from floor
Hot and cold main feed 420mm from floor



The basin must first be electrically installed and the basin raised to its highest position.

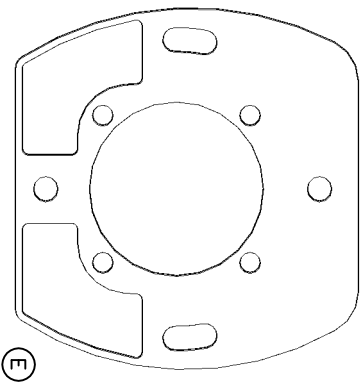
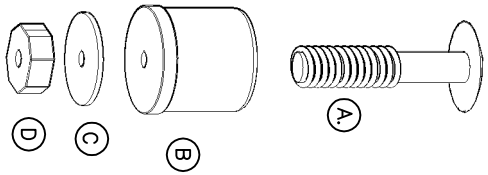
N.B. During motion you may hear a "popping" noise. Do not be alarmed this is only the flexible waste pipe adjusting and allowing the basin to raise and lower accordingly.

PURE WASH POINT: Instructions

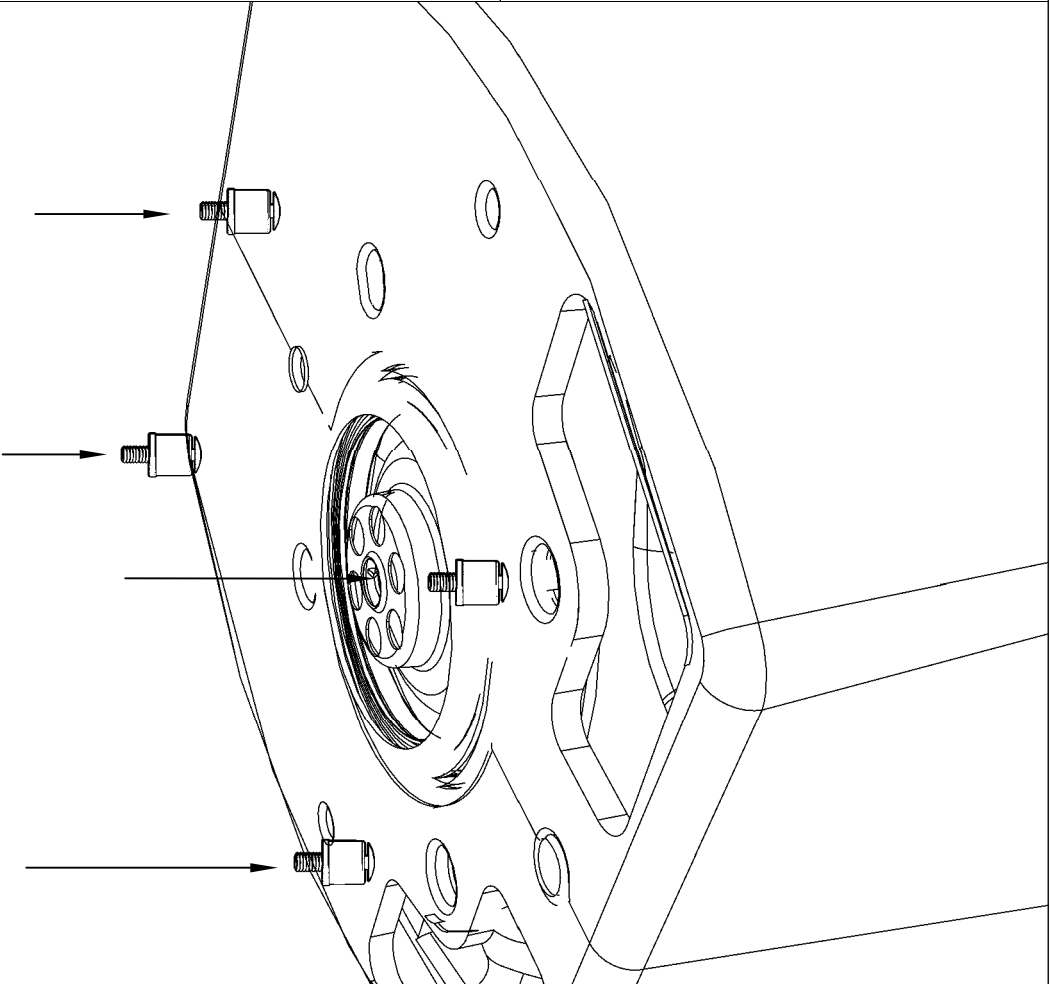
REMI

T: 01282 619977
F: 01282 619617

Assembly Instruction Sheet 6/7
Date: 2/08/2010 – Edition 3
Produced by: HT



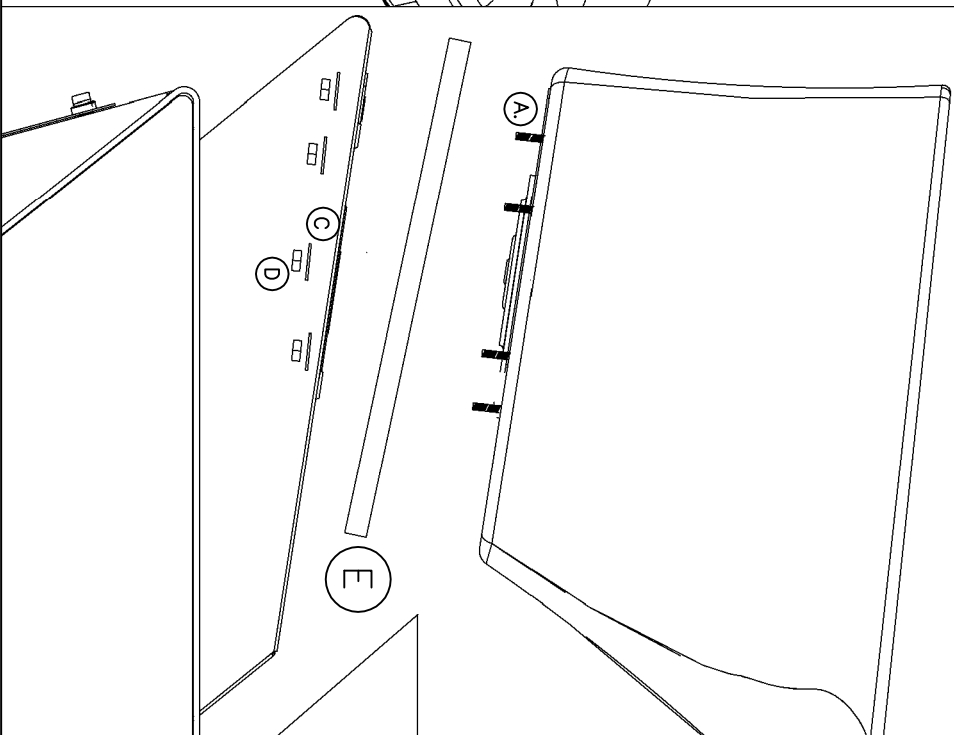
- A. BOLT X 4
- B. RUBBER BUNG X4
- C. WASHER X4
- D. NUT X 4
- E. GASKET X1



STEP ONE: Place the expansion plug B, over the bolt A.

STEP TWO: Push the expansion plug B, into the four holes surrounding the drain hole.

If the expansion plug is loose, silicone into place. When tightened the bungs will expand and fit the hole.



STEP THREE: After fitting the expansion plug, line the gasket up with holes on the stainless steel shroud. Place the basin onto the gasket and shroud, secure by tightening the washer C and four nuts D, from underneath the stainless shroud.

PURE WASH POINT: Basin fitting Instructions

IREM

T: 01282 619977
F: 01282 619617

Assembly Instruction Sheet 7/7
Date: 2/08/2010 – Edition 3
Produced by: HT