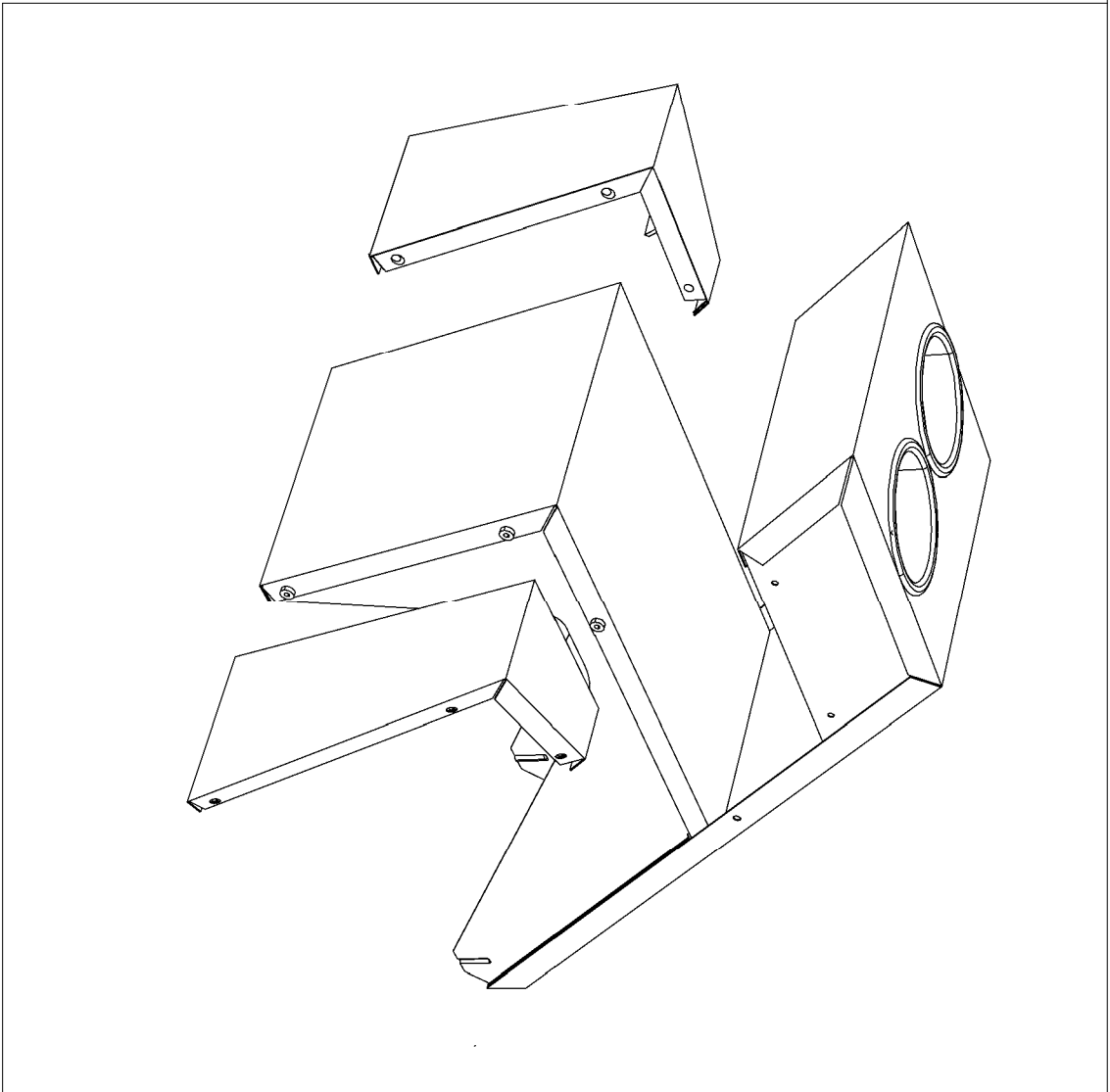


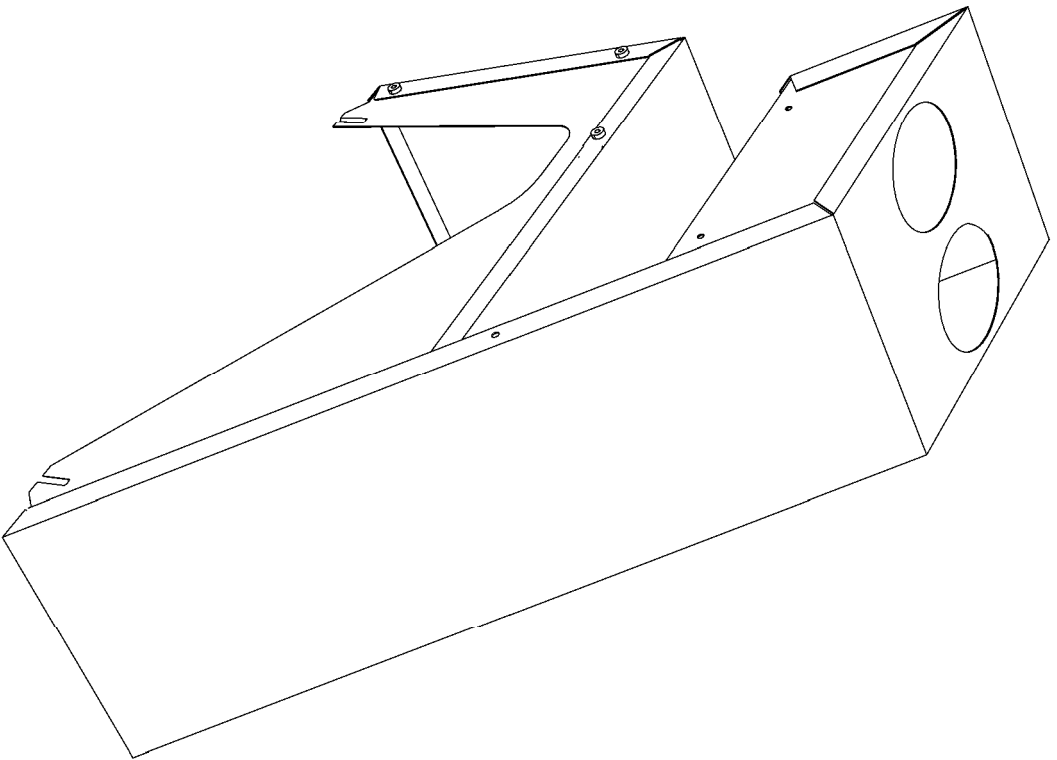
PREMI
T: 01282 619977
F: 01282 619617

PURE WASH POINT LINK:
04522

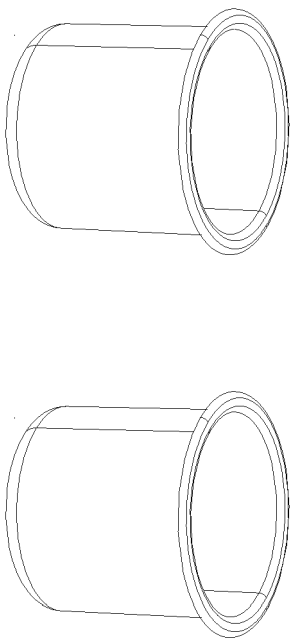
Assembly Instruction Sheet 1/4
Date: 06/04/2010 – Edition 1
Produced by: HT



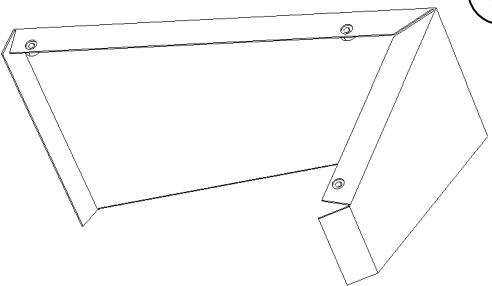
(A)



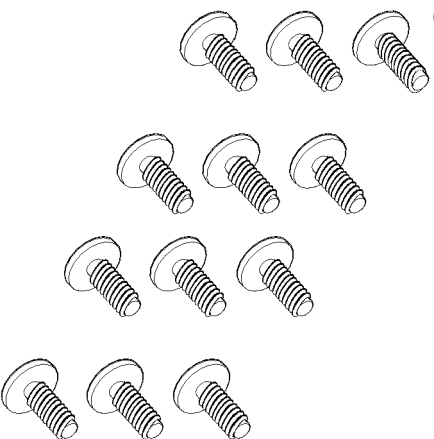
(B)



(C) + (D)



(E)



NOTE DEPENDING ON THE WASH POINT CONFIGURATION ONLY A LEFT/RIGHT EXTENSION MAY HAVE BEEN PROVIDED.

E : 12 X BOLTS (max)

A : 1 X MAIN LINK

B : 2 X SHAMPOO HOLDER

C : 1 X LEFT HAND EXTENSION

D : 1 X RIGHT HAND EXTENSION

PURE WASH POINT LINK:

04522

Assembly Instruction Sheet 2/4

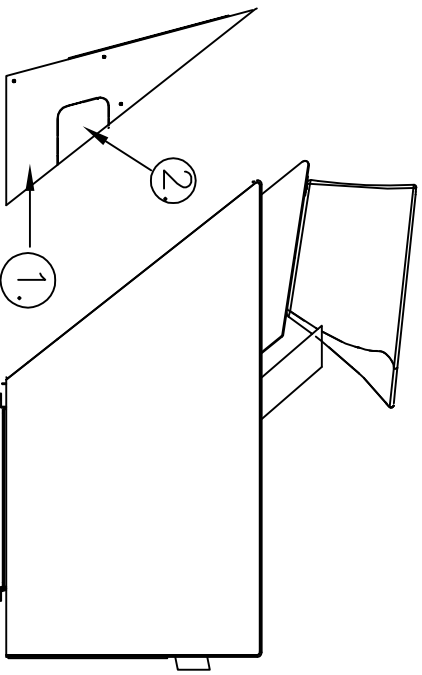
Date: 06/04/2010 – Edition 1

Produced by: HT

REEM

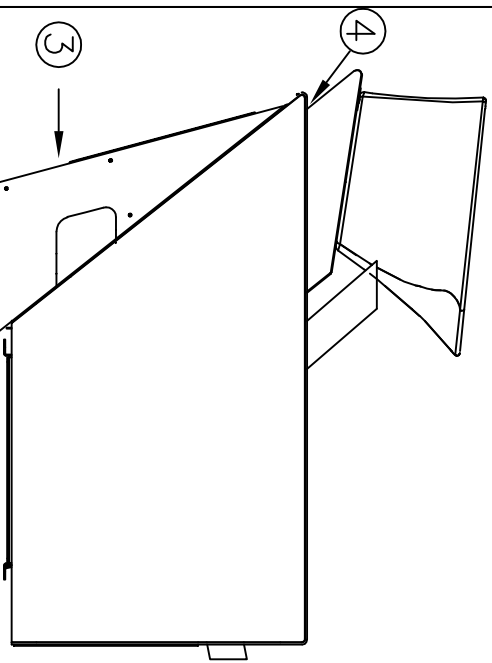
T: 01282 619977
F: 01282 619617

CONTENTS SHEET



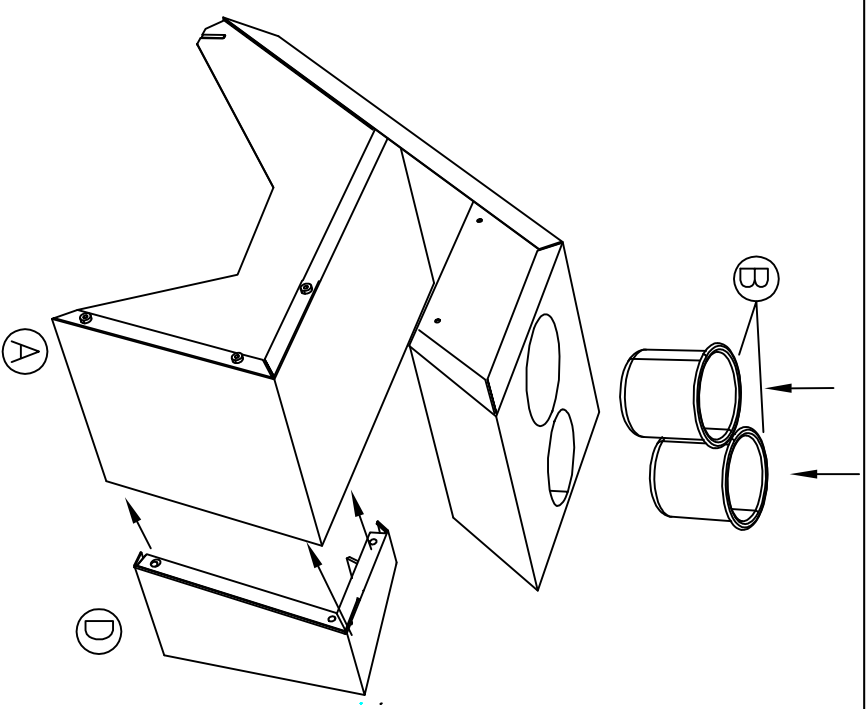
STEP ONE :Remove rear panel (see main instruction sheets).

STEP TWO: When fitting a link cut/punch out section 2 .



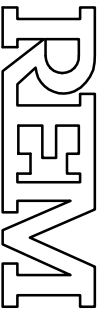
STEP THREE: Place back panel onto the unit (see main instruction sheet).

STEP FOUR: Ensure that the main wash unit shroud is not restricted in any way by panel.



STEP FIVE: Assemble the link using three of the bolts provided. Attach the side panel to suit the wash unit layout.

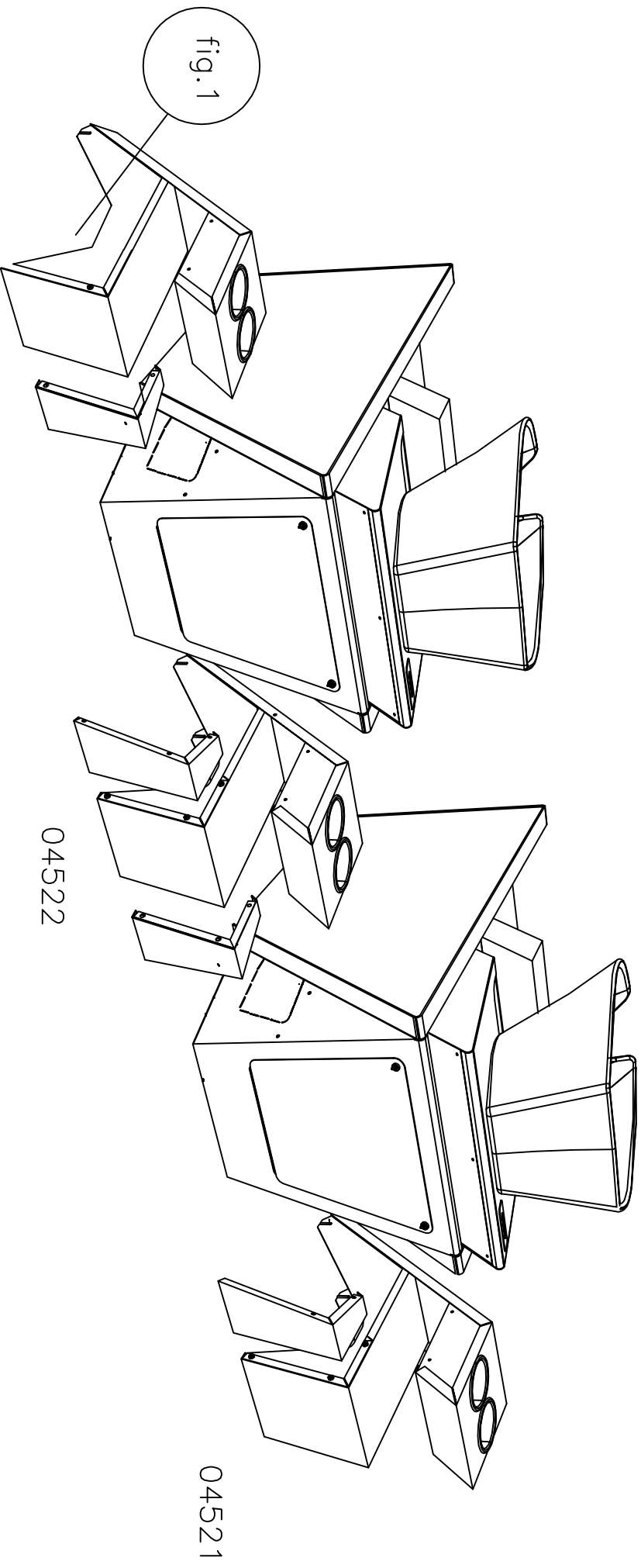
STEP SIX: Place shampoo holders B into position.



T: 01282 619977
F: 01282 619617

PURE WASH POINT LINK:
04522

Assembly Instruction Sheet 3/4
Date: 06/04/2010 – Edition 1
Produced by: HT



04520

04522

04521

This diagram shows the various link combinations to link one or more Pure washunits together.
 Please note when fitting directly to a wall no left or right extension units are needed (see fig1.)

REEM

T: 01282 619977
 F: 01282 619617

PURE WASH POINT LINK:

04522

Assembly Instruction Sheet 4/4

Date: 06/04/2010 – Edition 1

Produced by: HT