

- A : Reflex Styling Unit
- B : Battens (fixed to back of unit)
- C : Mirror
- D : Glass Shelf

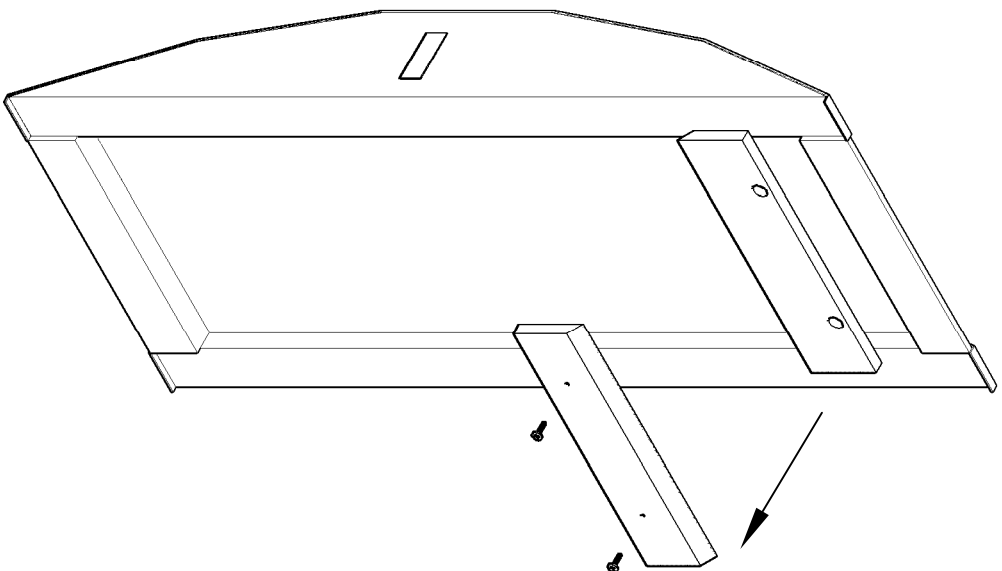
NOTE: No fixings are provided for this unit due to unknown wall types on site.

\*CAUTION – this unit weighs approx 50kg.

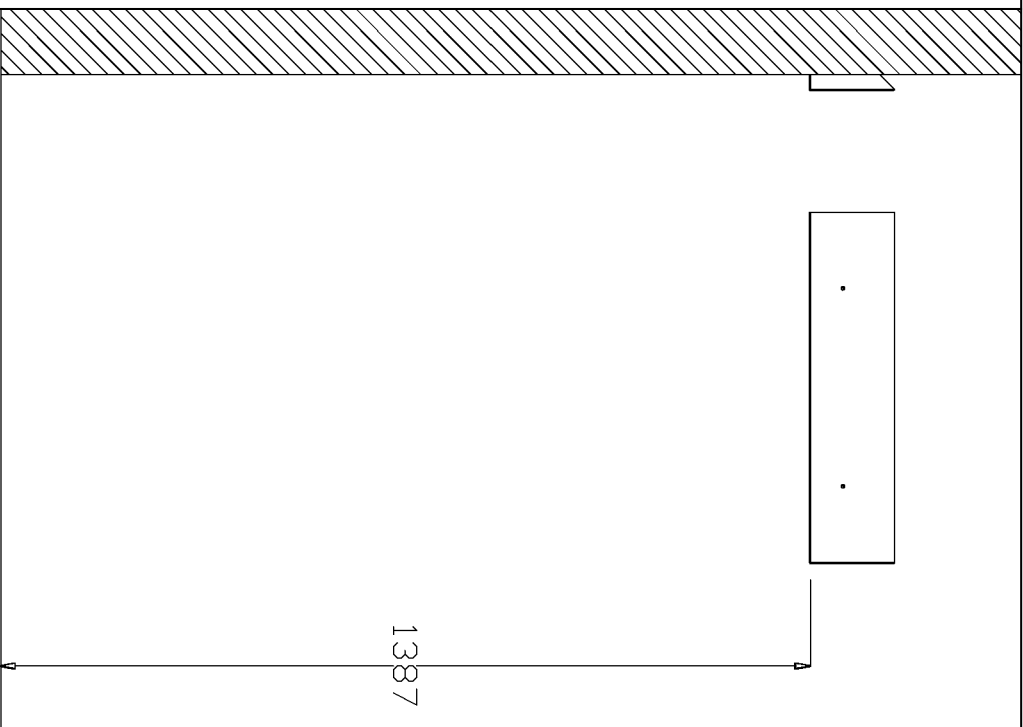
**REM**

T: 01282 619977  
F: 01282 619617

Reflex Styling Unit  
05120  
Component Details  
Date: 05/08/2009 – Edition 1  
Produced by: PP

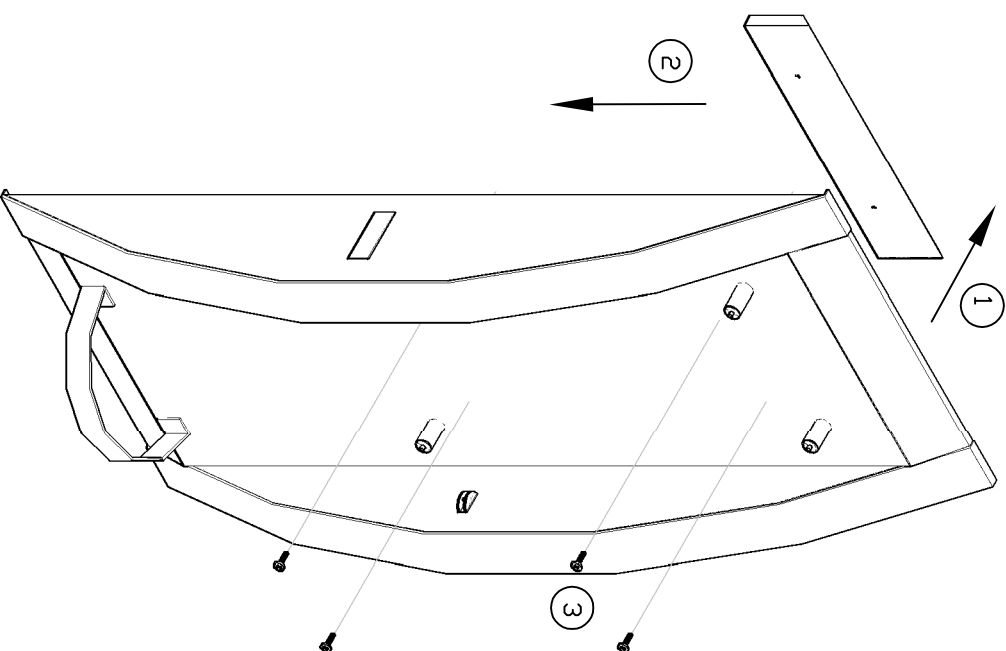


1. Unscrew bottom batten (B) from back of unit.



2. Fix batten to wall at suitable height for salon. Batten mounting height detailed above gives approximate shelf height of 820mm

(no wall fixings provided due to variations of wall types)



3. Minimum 2 person stage: – Using handles at side of unit, carefully lift unit over batten (1) and drop down in position (2) ensuring the unit is secure before releasing.

Additional battens may be needed to fit over any skirting boards throughout salon.

Note: additional fixings can be used to further secure unit. Ensure any fixings will be located behind mirror section to keep out of sight. (3)

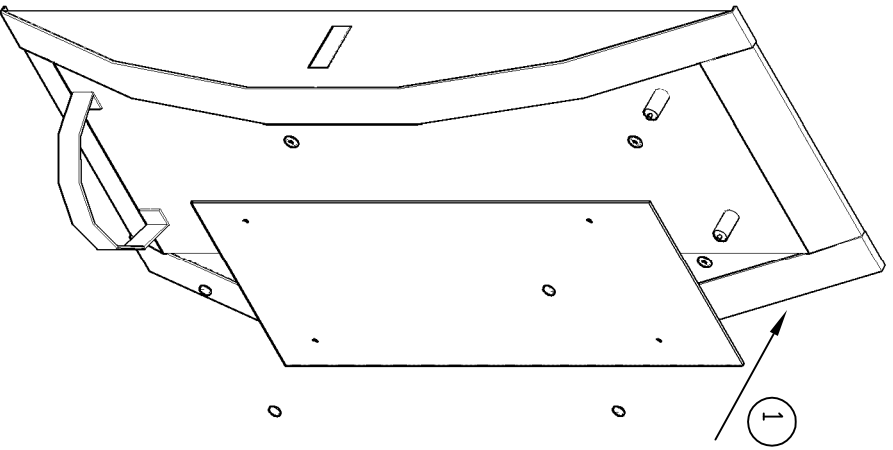
# REFLEX

T: 01282 619977  
F: 01282 619617

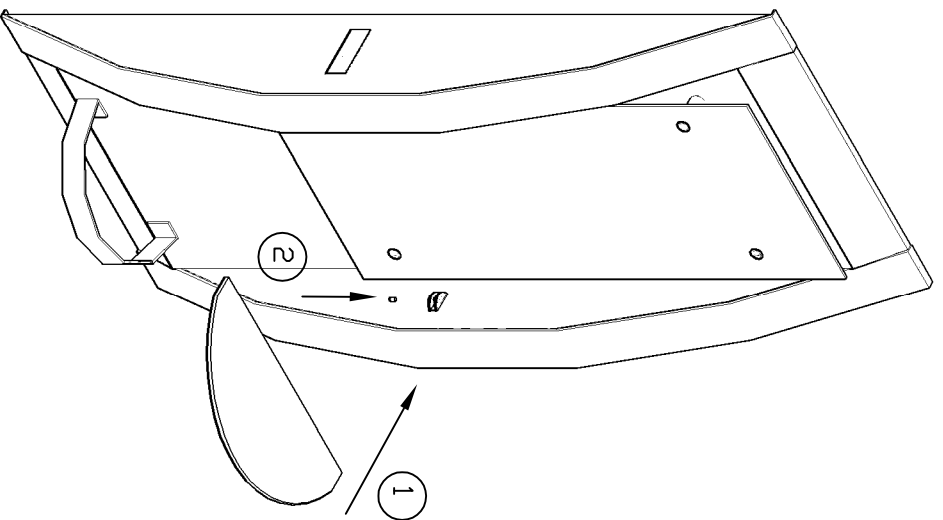
Reflex Styling Unit  
05120

Assembly Instruction Sheet 1/2  
Date: 05/08/2009 – Edition 1  
Produced by: PP

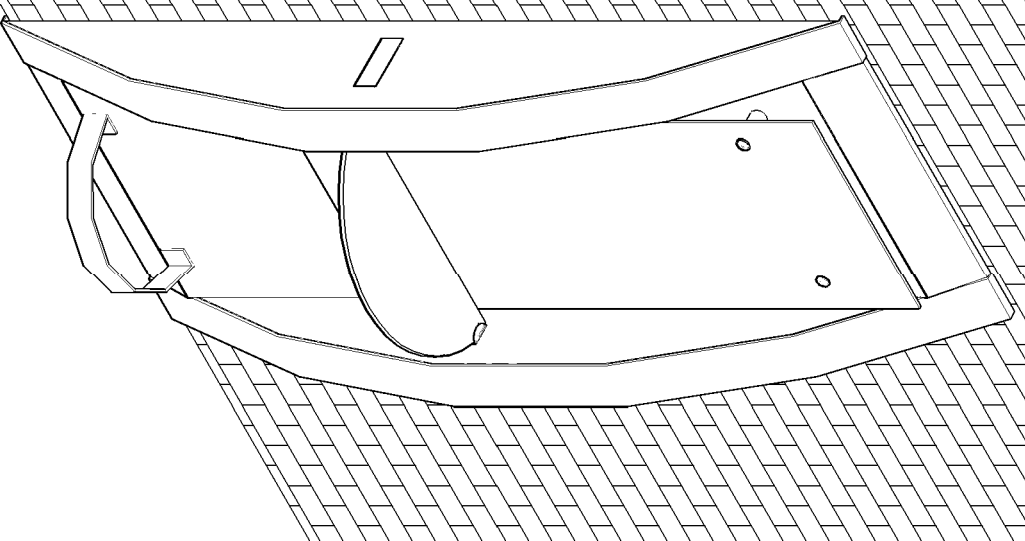
\*CAUTION – this unit weighs approx 50kg.



4. Recommended 2 person stage.  
Remove mirror caps from supports. Carefully Place mirror (C) over supports ensuring the washers are to the rear of mirror. Screw caps back into place to secure, do not over tighten.



5. Slide glass shelf (D) into support brackets ensuring frosted surface is to the underside (1). Tighten grub screws on shelf bracket to secure into place (2).



6. Unit Complete.  
REM recommend minimum measurement of 1220mm centre to centre for units in multiple runs.

# REM

T: 01282 619977  
F: 01282 619617

Reflex Styling Unit  
05120

Assembly Instruction Sheet 2/2  
Date: 05/08/2009 – Edition 1  
Produced by: PP

\*CAUTION – this unit weighs approx 50kg.