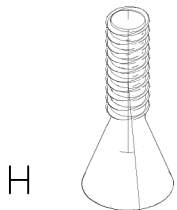
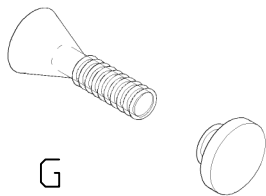
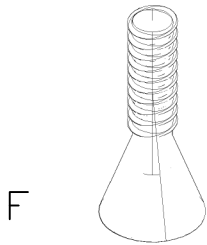
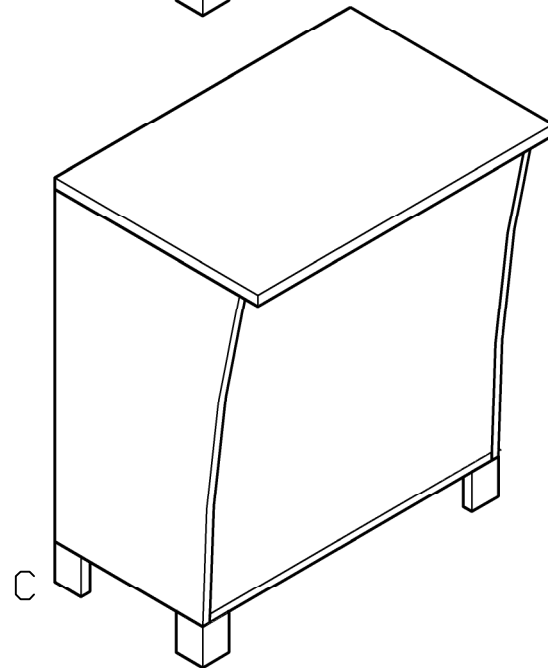
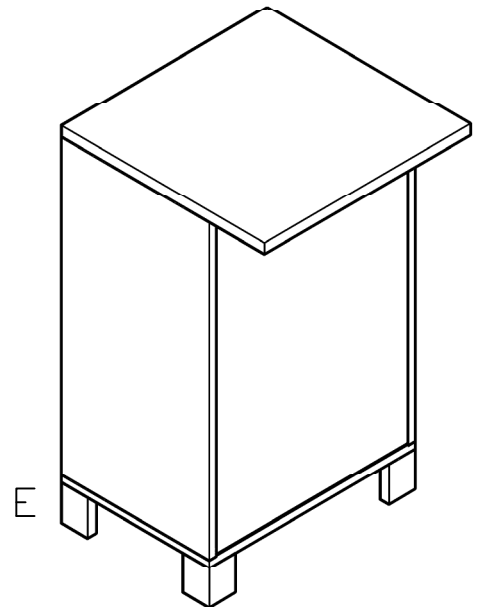
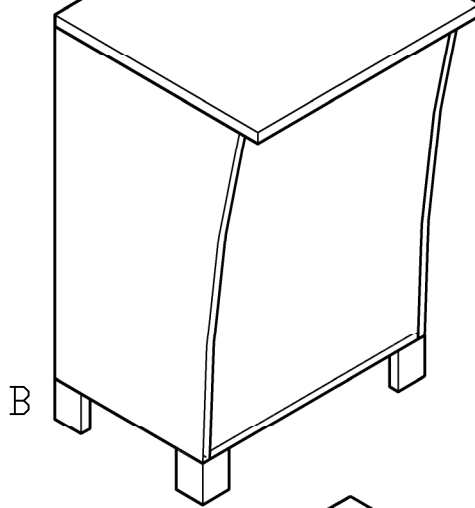
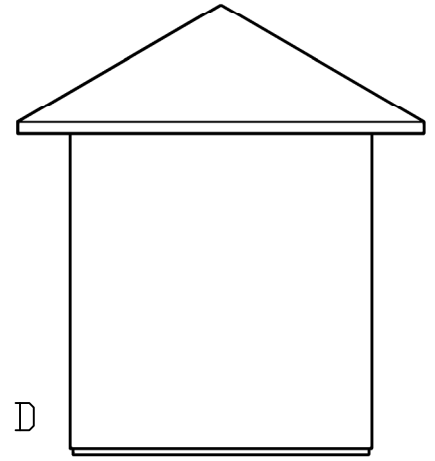
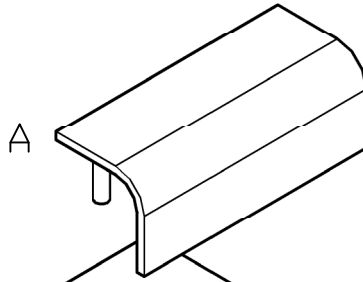


NOTE: Depending upon size of desk ordered, the cheque shelf may be supplied assembled or un-assembled.

NOTE: Desk top may be separate depending upon size of desk ordered



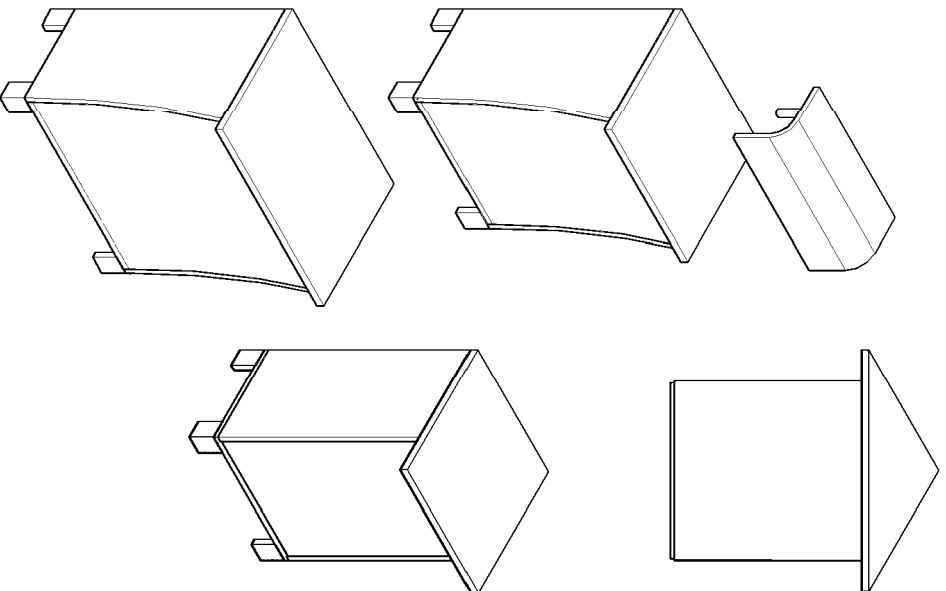
- A : Sigma Desk Cheque Shelf
- B : Sigma Desk 600 Module
- C : Sigma Desk 800 Module
- D : Sigma Desk Corner Retail Module
- E : Sigma Desk Striaight Retail Module
- F : Cheque Shelf Fixing Bolts
- G : Module Fixing Bolts / H : Top Fixing Bolts

NOTE: Sigma Desk instruction details demonstrate the assembly process for any desk option containing more than 1 module. Whichever desk configuration is being used, please use the same methods as detailed within these instructions.

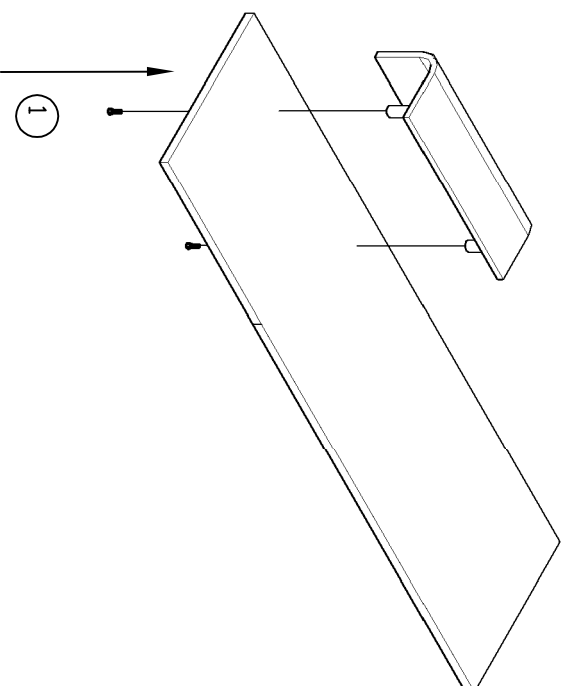
REM

T: 01282 619977
F: 01282 619617

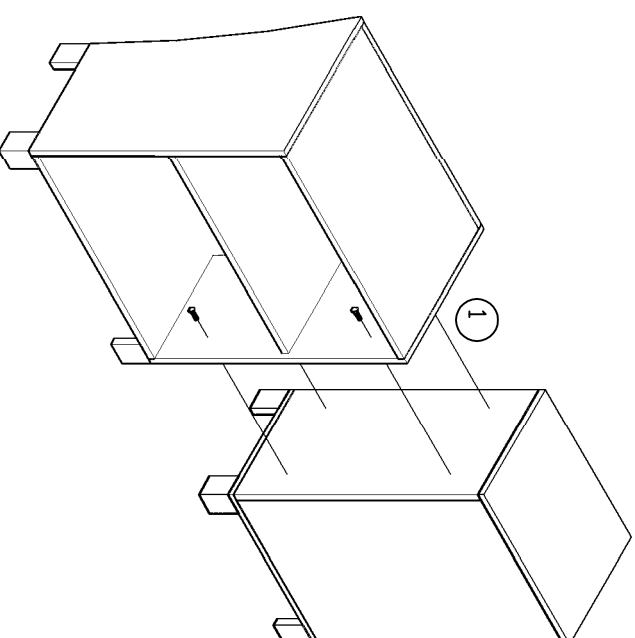
Sigma Desk: generic instructions
05700 + 05701 + 05702 + 05703 + 05704
Component Details
Date: 03/08/2009 – Edition 1
Produced by: PP



1. Carefully unwrap components and ensure all pieces are in order depending upon type of Helix Desk ordered. (NOTE: desk top & cheque shelf may be separate depending upon size of desk ordered)



2. If Cheque Shelf (A) is not pre-fitted to desk top, fix into position using Cheque Shelf Fixing Bolts (F) [1].



3. Position first module into desired location. Fix modules together using Module Fixing Bolts (G) [1].

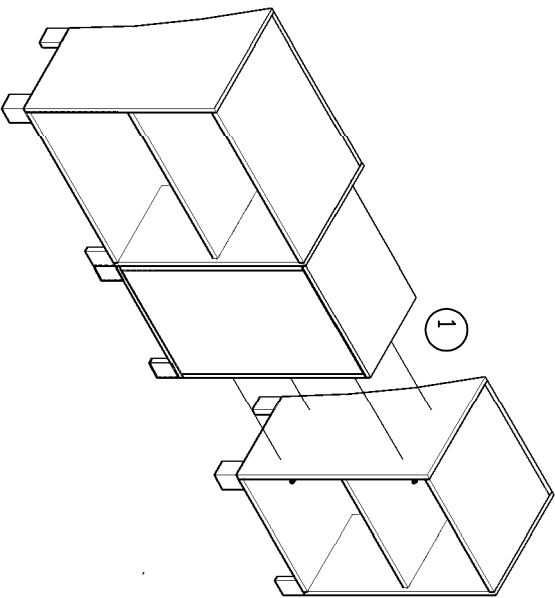
REEM

T: 01282 619977
F: 01282 619617

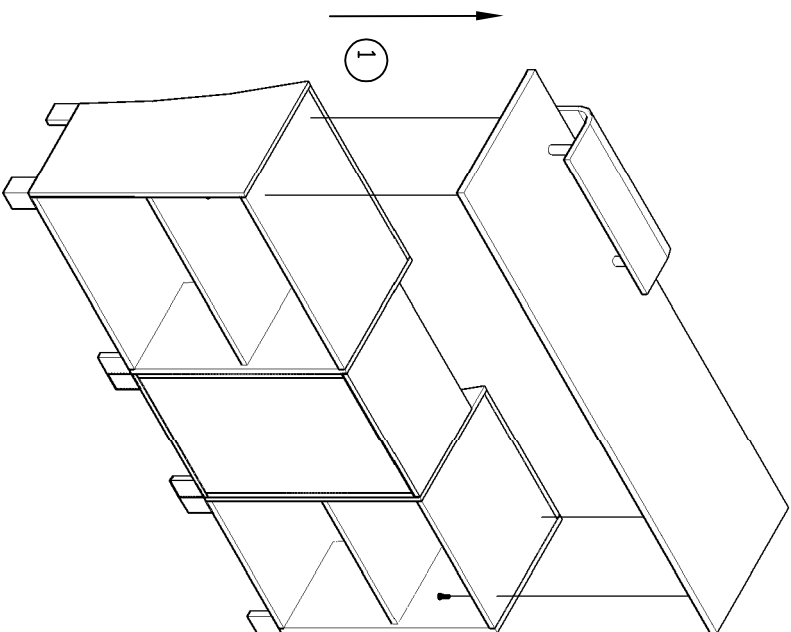
Sigma Desk: generic instructions
05700 + 05701 + 05702 + 05703 + 05704

Assembly Instruction Sheet 1/2
Date: 03/08/2009 – Edition 1
Produced by: PP

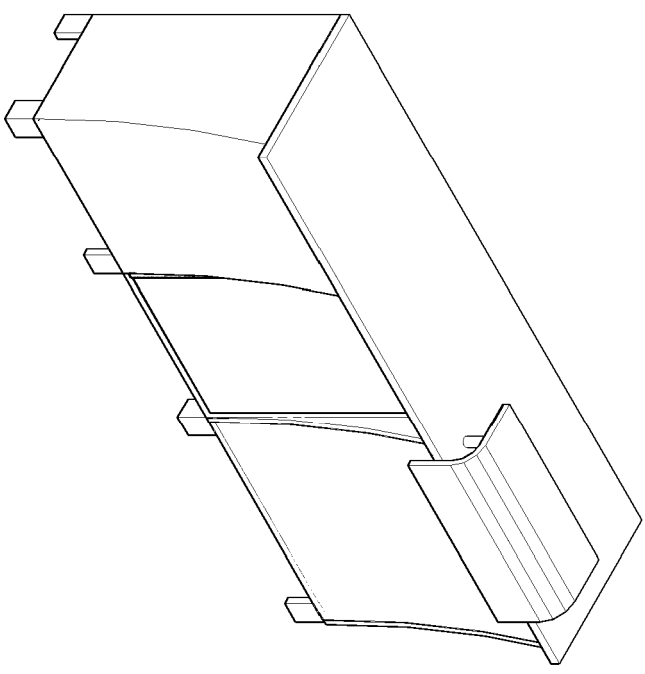
NOTE: Sigma Desk instruction details demonstrate the assembly process for any desk option containing more than 1 module. Whichever desk configuration is being used, please use the same methods as detailed within these instructions.



4 . Depending upon size of desk ordered, stage 3 may need to be repeated to attach any additional modules [1].



5. Recommended 2 person required for this operation: Carefully place desk top over modules, fix into position from inside desk using Top Fixing Bolts (H) [1].



6. Desk Complete

PREMI

T: 01282 619977
F: 01282 619617

Sigma Desk: generic instructions
05700 + 05701 + 05702 + 05703 + 05704

Assembly Instruction Sheet 2/2
Date: 03/08/2009 – Edition 1
Produced by: PP

NOTE: Sigma Desk instruction details demonstrate the assembly process for any desk option containing more than 1 module. Whichever desk configuration is being used, please use the same methods as detailed within these instructions.