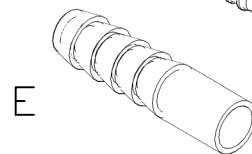
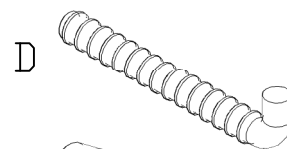


NOTE: Wall brackets pre-moulded into rear of units: -  
 - 3 to rear of Styling Unit A  
 - 2 to rear of Link Unit B



A : Solis Styling Unit  
 + Mirror  
 + Rear Brackets (C)  
 B : Solis Link Unit  
 + Chrome Holster  
 + Rear Brackets (C)

C : Brackets  
 (moulded into units)  
 D : Fixings Hooks  
 - 3 per styling unit (A)  
 - 2 per link unit (B)

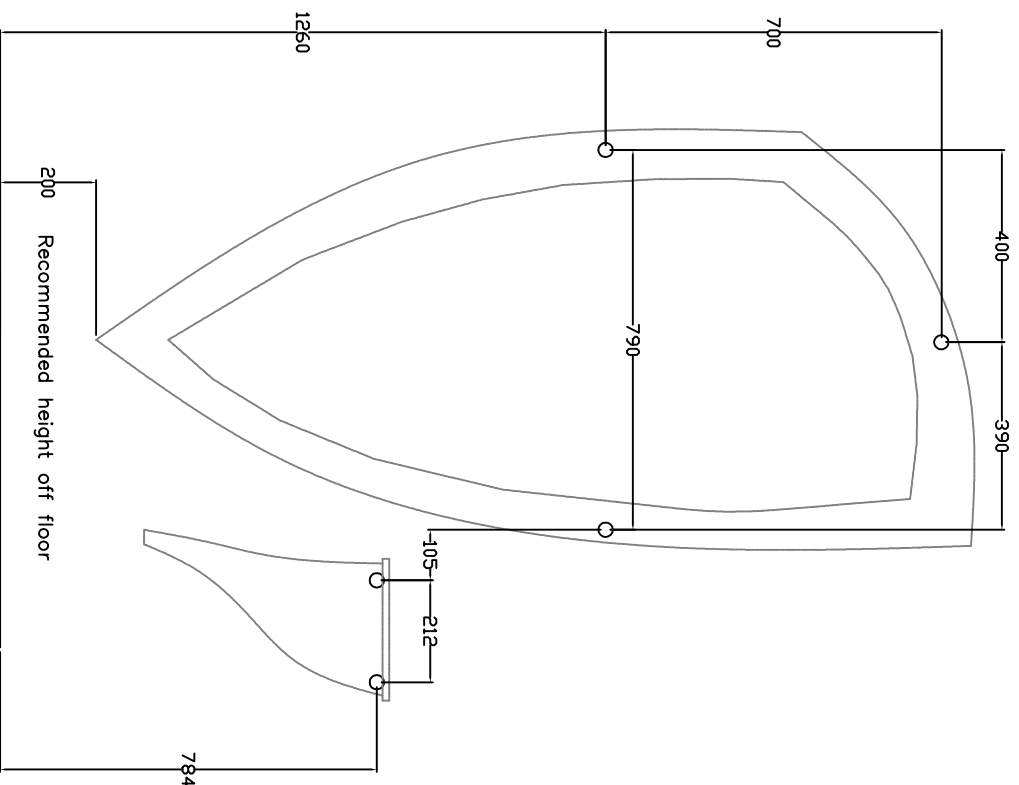
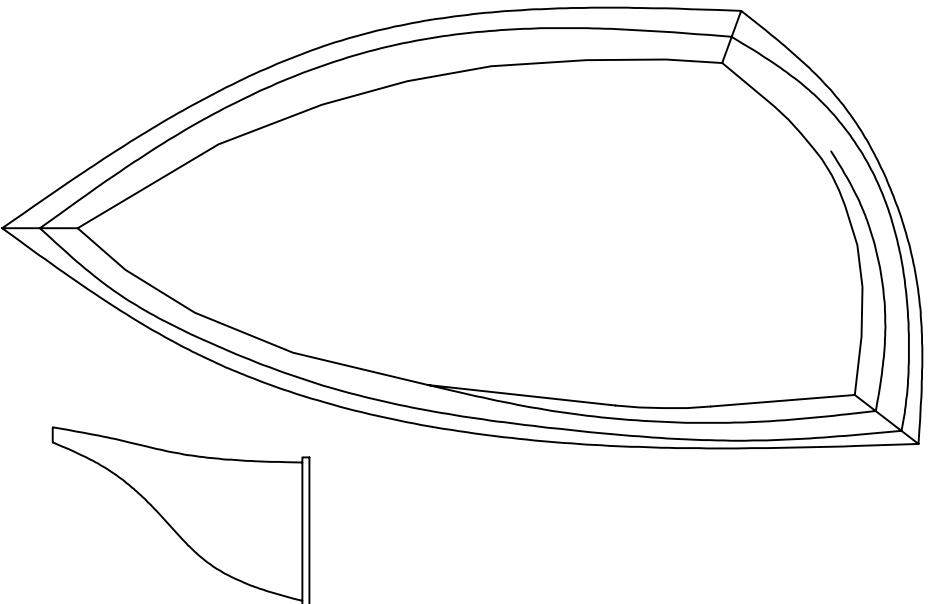
E : Wall Plugs  
 - 3 per styling unit (A)  
 - 2 per link unit (B)

NOTE: Fixings supplied may not be suitable for all wall types.

**REM**

T: 01282 619977  
 F: 01282 619617

Solis Styling Unit & Link  
 05165 + 05166  
 Component Details  
 Date: 12/02/2009 - Edition 1  
 Produced by: PP



1. Carefully unwrap components and ensure all pieces are in order.

2. Fix Wall Plugs (E) and Fixing Hooks (D) into wall [Fig. 1] using recommended dimensions as detailed above. Ensure head of Fixing Hooks (D) remain out of wall by approx 5mm and point vertically upwards [Fig. 2].

- NOTE: FIXINGS MAY NOT BE SUITABLE FOR ALL WALL TYPES

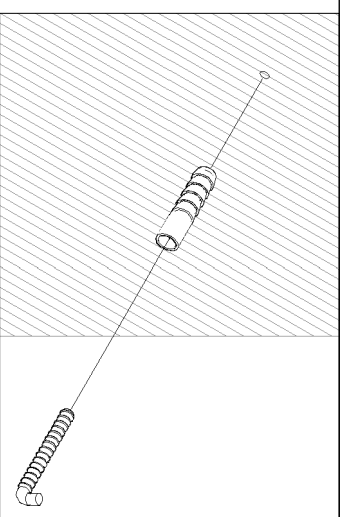


Fig. 1

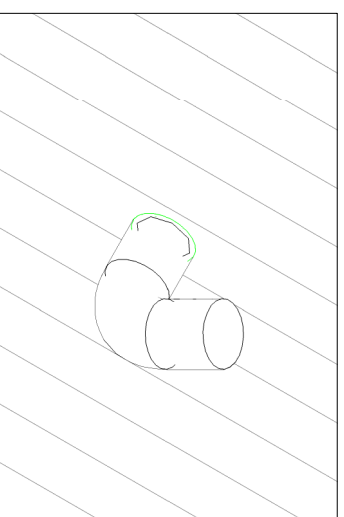


Fig. 2

# REMI

T: 01282 619977  
F: 01282 619617

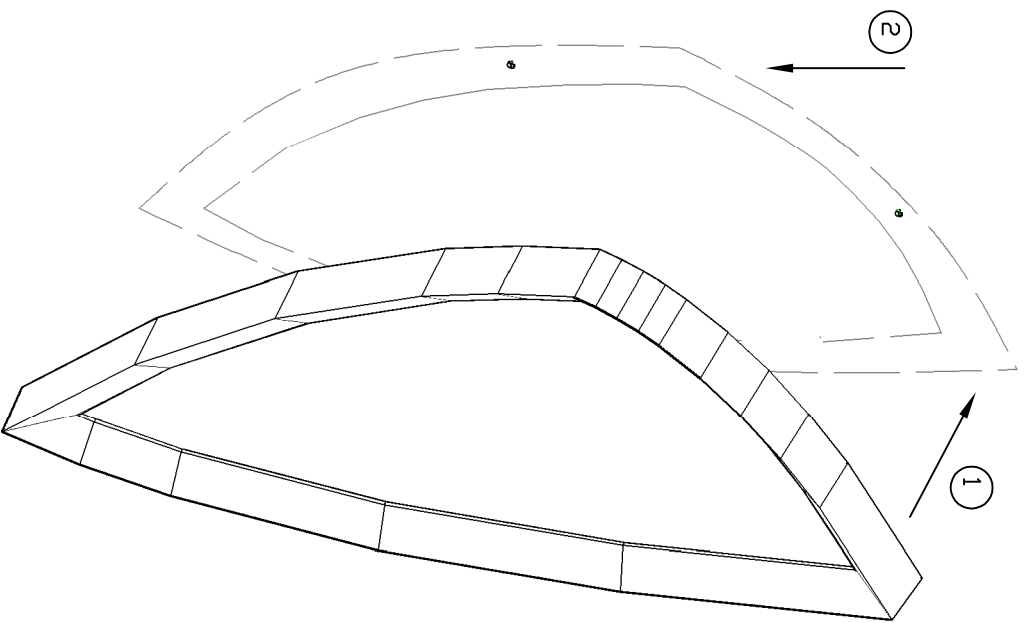
Solis Styling Unit & Link

05165 + 05166

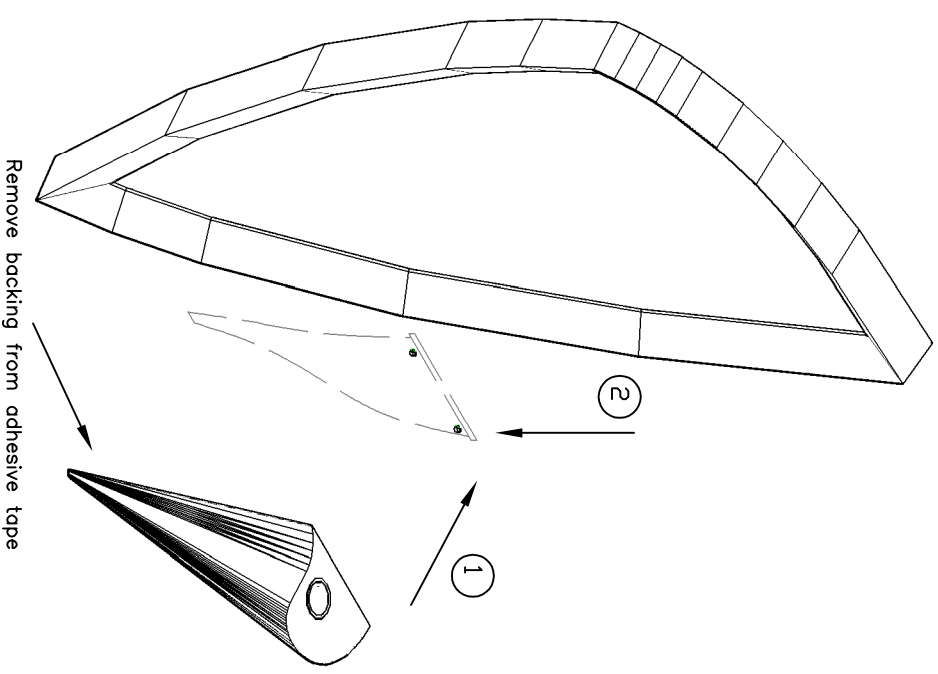
Assembly Instruction Sheet 1/2

Date: 12/02/2009 – Edition 1

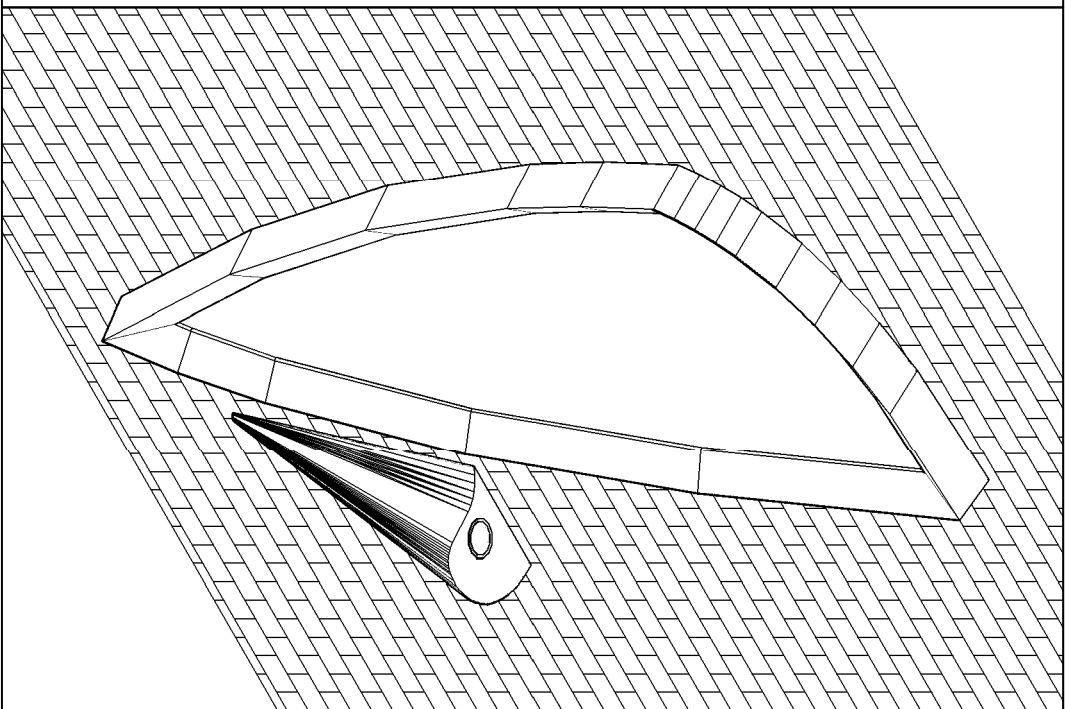
Produced by: PP



3. Recommended 2 person required for this operation:  
 Hang Styling Unit (A) onto Fixing Hooks (D) with care. Place unit above wall fixings [1] and drop down into place to secure [2].



4. Repeat stage 3 for link unit:  
 Remove backing from adhesive tape from bottom of unit. Hang Link Unit (B) onto Fixing Hooks (D) with care. Place unit above wall fixings [1] and drop down into place to secure [2], push base against wall to secure into place with tape.



5. Unit Complete  
 (if mounting more than 1 unit on a wall, recommended spaces are 1220mm centre to centre)

# REEM

T: 01282 619977  
 F: 01282 619617

Solis Styling Unit & Link  
 05165 + 05166  
 Assembly Instruction Sheet 2/2  
 Date: 12/02/2009 – Edition 1  
 Produced by: PP