

A : Tokyo Styling Unit  
B : Mirror  
C : Mirror Fixing Clips

NOTE: No fixings are provided for this unit  
due to unknown wall types on site.

**REM**

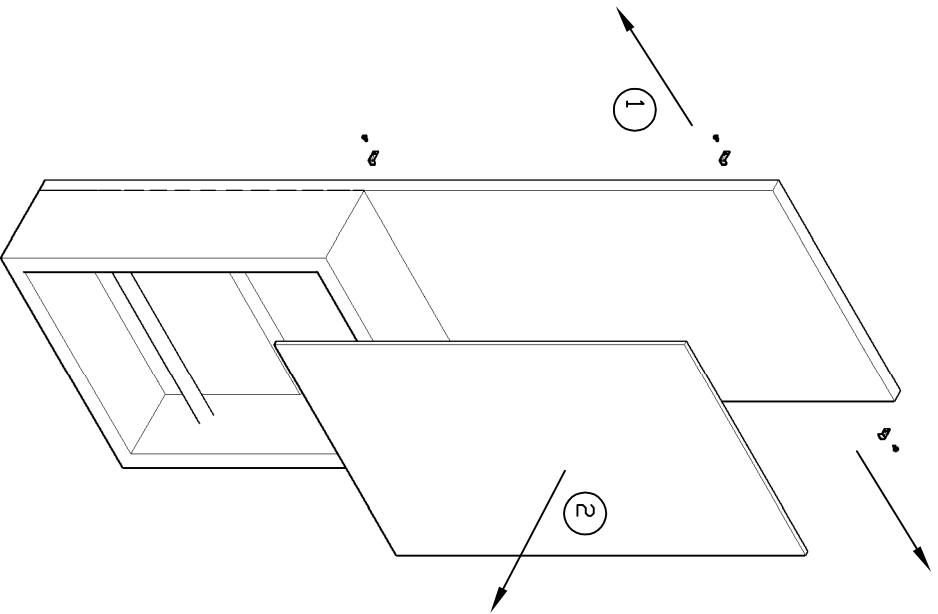
T: 01282 619977  
F: 01282 619617

Tokyo Styling Unit  
05050

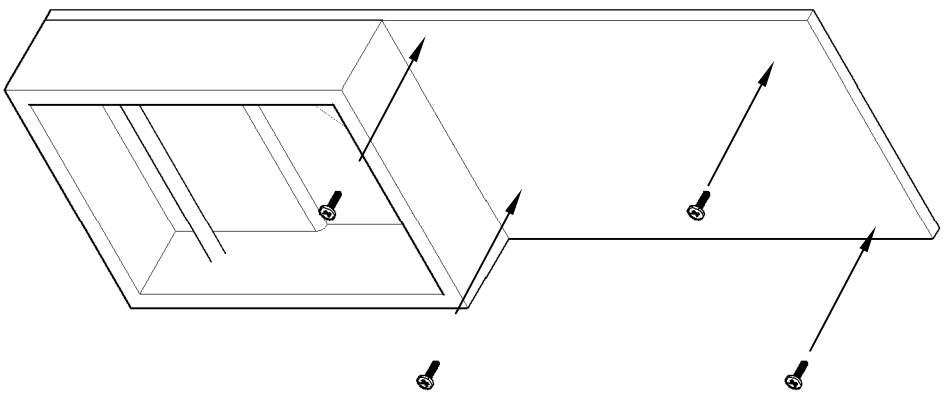
Component Details

Date: 05/08/2009 – Edition 1

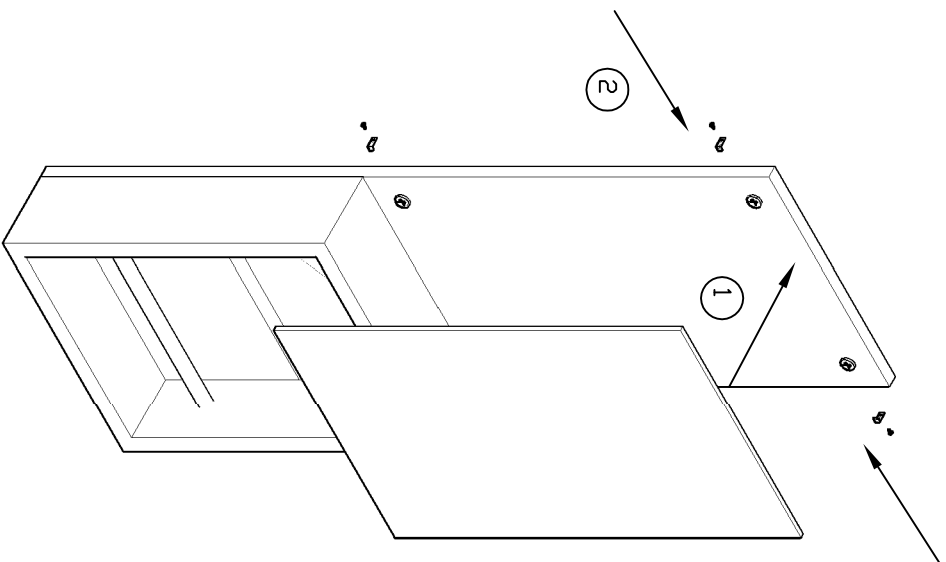
Produced by: PP



1. Unscrew 4 side mirror clips (1) ensuring mirror does not fall off unit. Carefully remove mirror (2) and place on a suitable surface whereby edges or sides cannot be damaged.



2. Secure unit to wall using COUNTERSUNK screws suitable for the wall type on site (1).  
(no wall fixings provided due to variations of wall types)



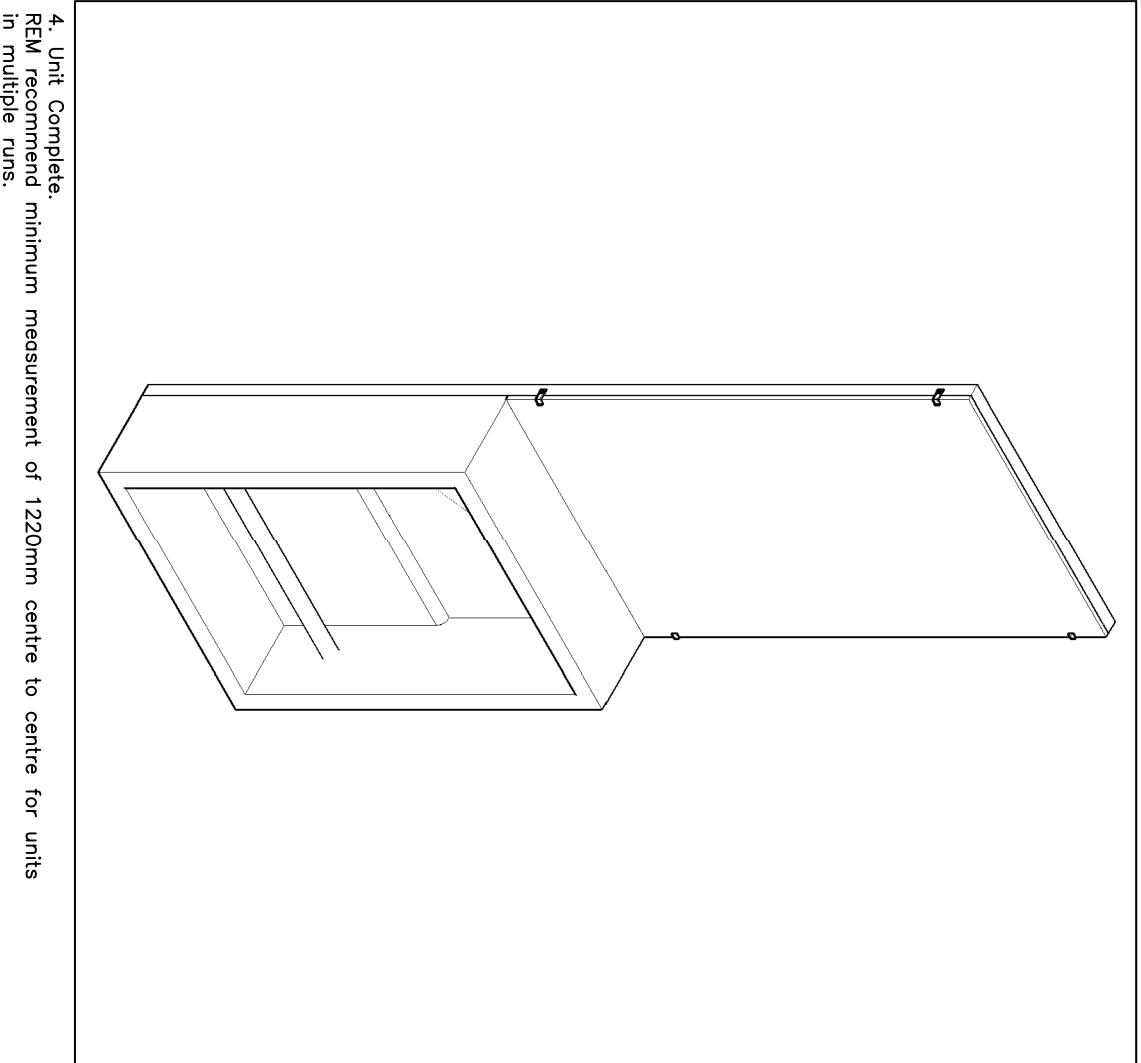
3. Carefully place mirror back onto unit (1) and secure in place using 4 mirror clips (2).

# PREMI

T: 01282 619977  
F: 01282 619617

Tokyo Styling Unit  
05050

Assembly Instruction Sheet 1/2  
Date: 05/08/2009 – Edition 1  
Produced by: PP



Tokyo Styling Unit  
05050

Assembly Instruction Sheet 2/2  
Date: 05/08/2009 – Edition 1  
Produced by: PP

# REM

T: 01282 619977  
F: 01282 619617