

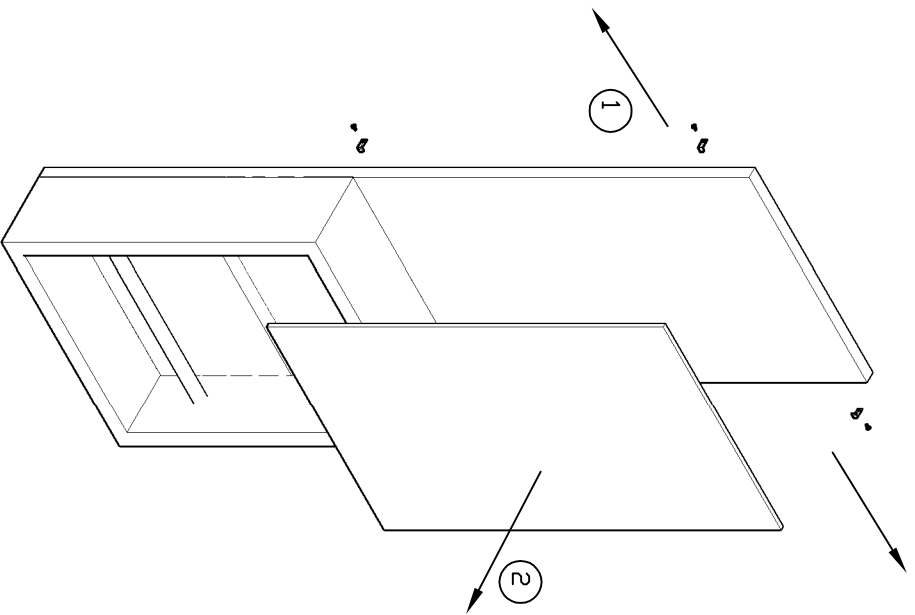
A : Tokyo Styling Unit
B : Mirror
C : Mirror Fixing Clips
D : Tokyo Storage Unit

NOTE: No fixings are provided for this unit
due to unknown wall types on site.

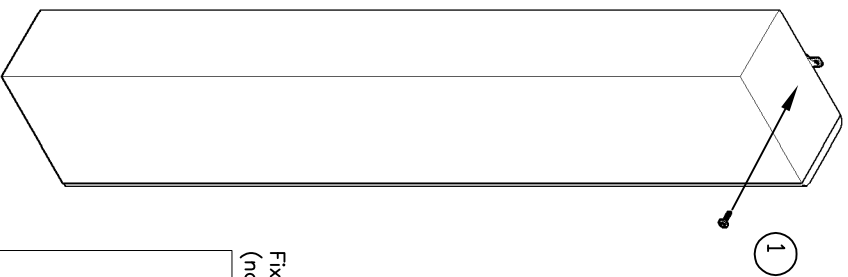
REM

T: 01282 619977
F: 01282 619617

Tokyo Styling Unit + Storage
05050 + 05052
Component Details
Date: 05/08/2009 - Edition 1
Produced by: PP

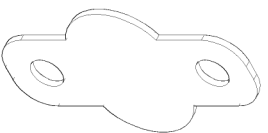


1. Unscrew 4 side mirror clips (1) ensuring mirror does not fall off unit. Carefully remove mirror (2) and place on a suitable surface whereby edges or sides cannot be damaged.

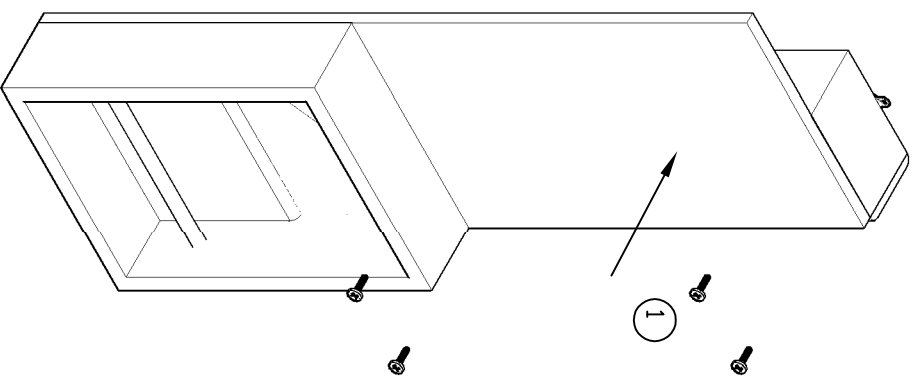


2. Secure storage unit to wall using a fixing plate suitable for the wall type on site (1).

(no wall fixings provided due to variations of wall types)



Fixing plate type required (not provided)



3. Secure styling unit to storage section using COUNTERSUNK screws (1).

PREMI

T: 01282 619977
F: 01282 619617

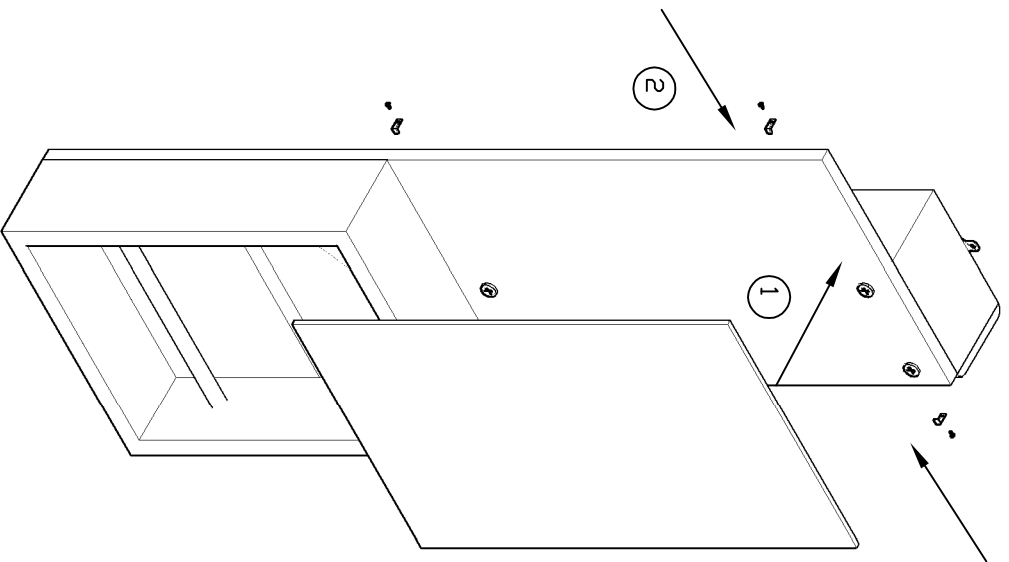
Tokyo Styling Unit + Storage

05050 + 05052

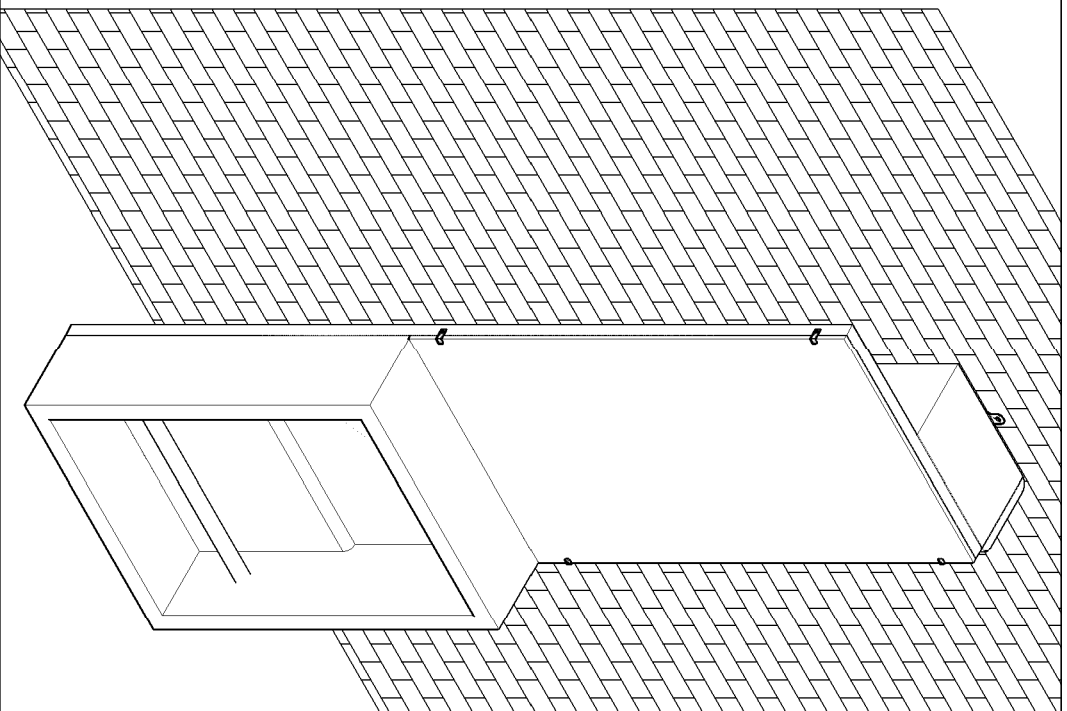
Assembly Instruction Sheet 1/2

Date: 05/08/2009 – Edition 1

Produced by: PP



4. Carefully place mirror back onto unit (1) and secure in place using 4 mirror clips (2).



5. Unit Complete.
REM recommend minimum measurement of 1220mm centre to centre for units in multiple runs.

REM

T: 01282 619977
F: 01282 619617

Tokyo Styling Unit + Storage

05050 + 05052

Assembly Instruction Sheet 2/2

Date: 05/08/2009 – Edition 1

Produced by: PP