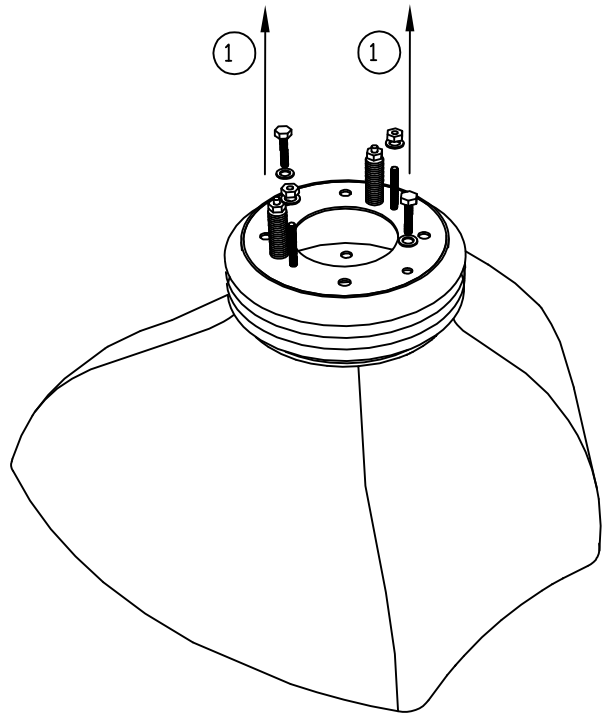


Basin Installation Instructions

Each Washpoint is shipped from REM in cartons as follows:

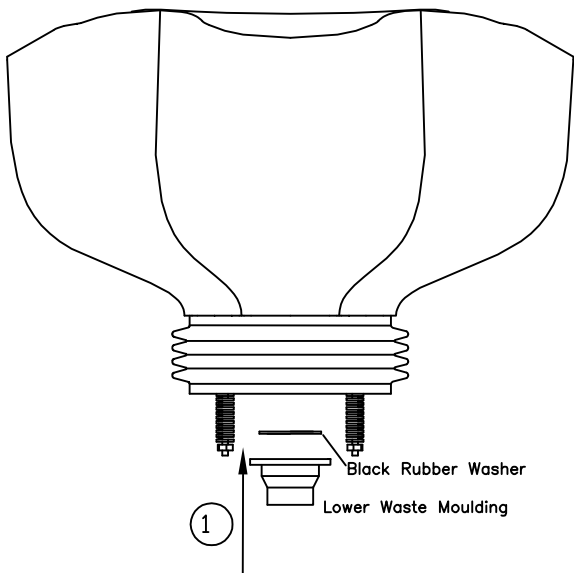
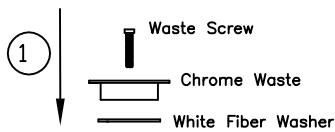
- The Basin, Waste Fittings, Tilt-Mechanism, and Monobloc Valve (when ordered) are delivered in one carton.
- The Atlantic and Baltic Washpoints are supplied in a second carton with installation instructions.
- For the Stainless Steel and Ocean Washpoints, the upholstered chair will be shipped fixed to the pod, with a cabinet supplied in a third carton.

N.B. Whilst the assembly of these units is fairly straightforward, it is recommended that the fitting of the Waste (and any Monobloc Valve where ordered) is carried out by a qualified plumber



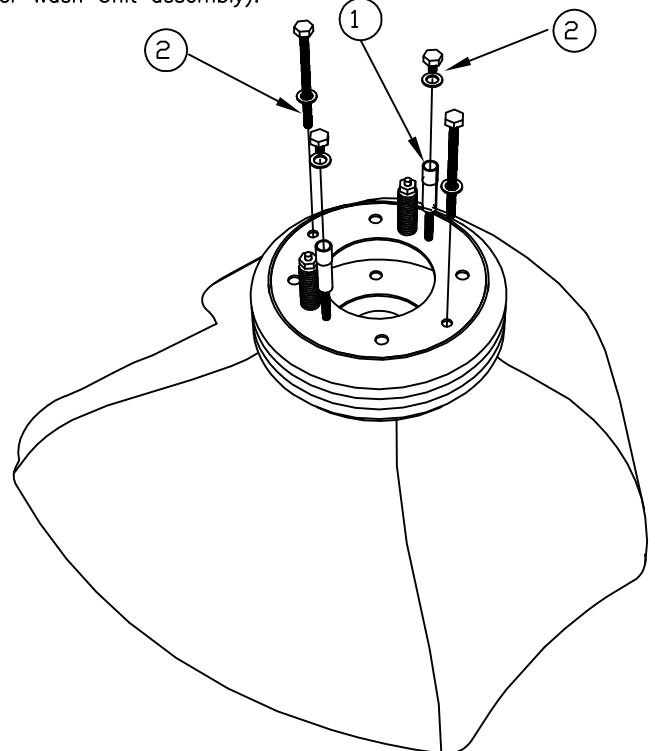
1. Carefully unwrap components and ensure all pieces are in order.
REM recommend the fitting of the basin AFTER the Wash Point pods have been installed.

2. Remove 2 bolts and 2 nuts along with washers from underside of tilt mechanism (1), these fixings are required later. NOTE: DO NOT ADJUST OR MOVE SPRING TENSION BOLTS AT THIS POINT.



3. Fit basin waste as detailed in order above (1).

FOR ATLANTIC WASH UNITS ONLY (please skip this stage for any other Wash Unit assembly).



4. FOR ATLANTIC WASH UNITS ONLY: Please skip this stage for any other Wash Unit assembly. Discard fixings removed in stage 2. Attach threaded sleeves to tilt threads, finger tighten only (about 3 full turns) (1). Follow stage 5, however, use longer and shorter bolts provided to secure basin to pod (2).

REM

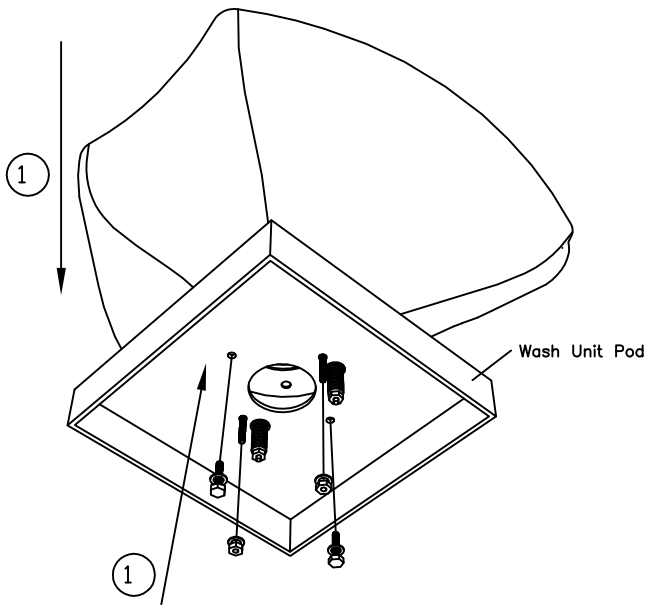
T: 01282 619977
F: 01282 619617

Basin Installation Instructions
Baltic / Ocean / Atlantic / Stainless Range

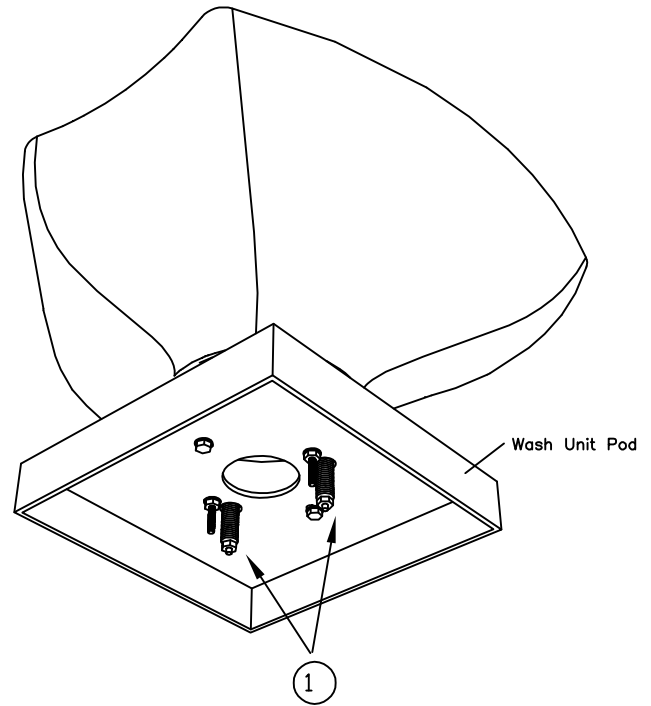
Page 1 of 2

Date: 01/01/2011 – Edition 1

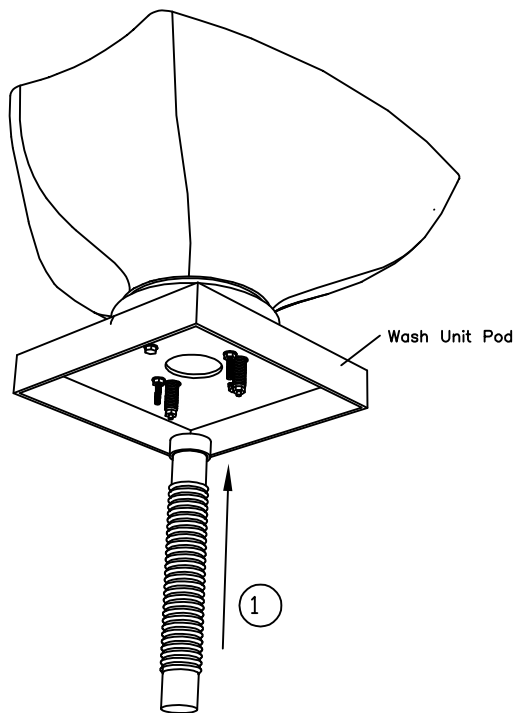
Produced by: PP



5. Carefully lower basin through cutouts in top of wash point cabinet ensuring basin is pointing forwards (1). Fix into place using bolts, screws and washers previously removed in stage 2 (2).



6. The tension of the basin tilt mechanism can be adjusted by tightening or loosening the spring tension bolts (1). **WARNING: DO NOT ADJUST BY MORE THAN 2 FULL TURNS IN EITHER DIRECTION.**



7. Attach the flexi-waste pipe to the underside of the basin (1). Attach bottle trap (04922 – if purchased) to the flexi-waste pipe (bottle trap not shown).

WARNINGS

- Whilst the assembly of these units is fairly straight forward, it is recommended that the fitting of the Waste (and any Monobloc Valve where ordered) is carried out by a qualified plumber

- An application of silicone or similar may be required between the basin and waste.

- REM recommend the fitting of the basin AFTER the Wash Point pods have been installed.

- REM recommend the use of a Basin Neck Cushion, available from REM (04923) to reduce the risk of VERTEBROBASILAR SYNDROME (Beauty Parlour Syndrome)

- It is crucial that any client is positioned in the Wash Units with the Basin correctly adjusted.

REM

T: 01282 619977
F: 01282 619617

Basin Installation Instructions
Baltic / Ocean / Atlantic / Stainless Range

Page 2 of 2

Date: 01/01/2011 – Edition 1

Produced by: PP