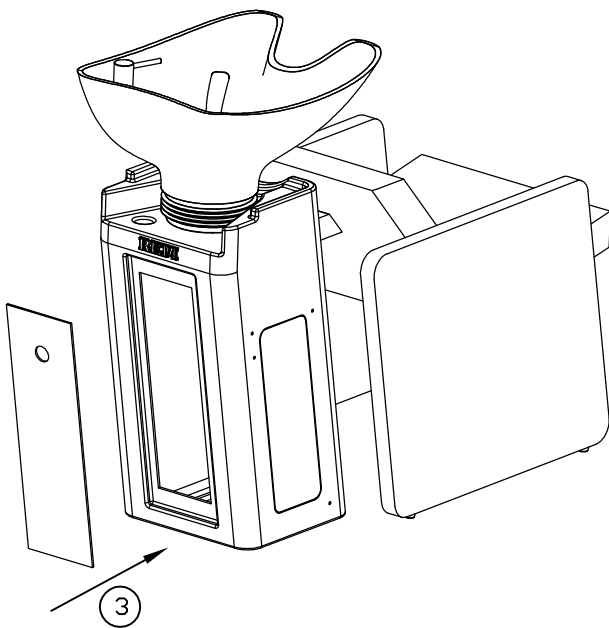
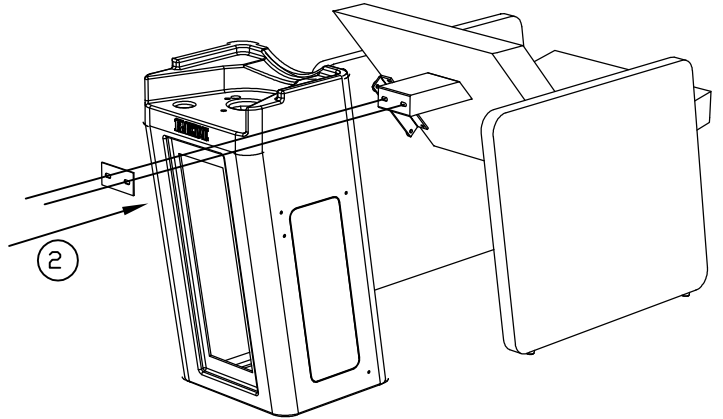
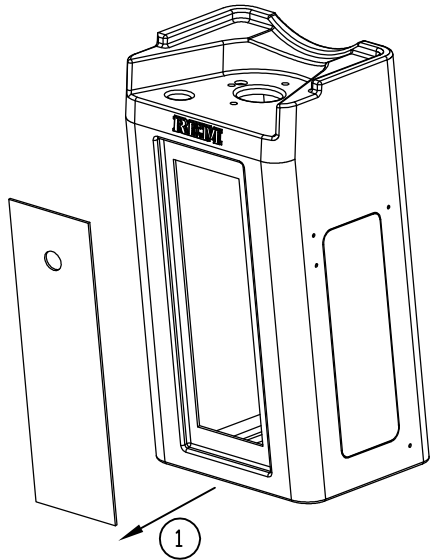


PLEASE READ ALL SECTIONS CAREFULLY



Wash Unit Assembly Process

Stage 1: Remove rear access door from pod. Note, keep fixings & door to re-attach.

Stage 2: Place pod in required position in salon, connect chair to pod: Using M6 bolts and nuts provided feed bolts through support plate & inside of pod and secure through bracket to rear of chair.

Stage 3: Re-attach door to rear of cabinet when unit is secured, basin attached and plumbing work completed.

REM

T: 01282 619977
F: 01282 619617

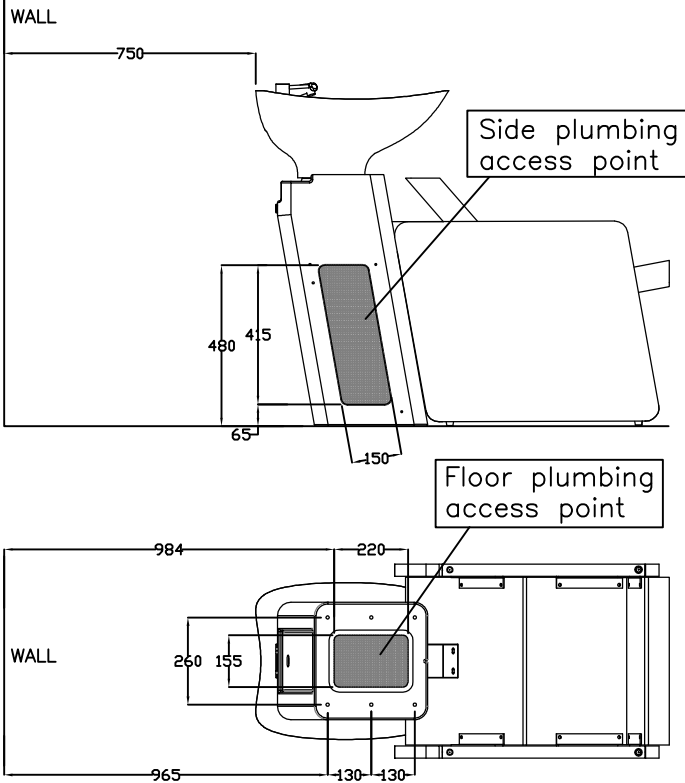
Colorado Wash Unit
04780 / 04781
Assembly Instruction Sheet 1/2
Date: 01/10/2013
Produced by: PP



@REMUkSalons

facebook.com/REMSalons

PLEASE READ ALL SECTIONS CAREFULLY



FLOOR FIXING AND WASTE PIPE HOLES

The Colorado Washpoint is fixed to the floor via 6 fixing points in corners and centre of the rear pod (fixings not supplied).

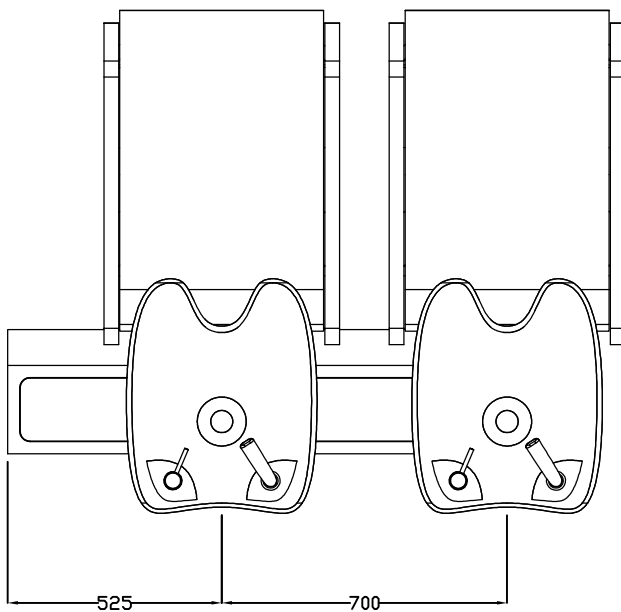
Side Plumbing Access:

The pod can be drilled anywhere within the side plumbing access point to allow water & waste pipes to enter / exit the Washpoint.

Floor Plumbing Access:

The pod is pre-cut to base to allow water & waste pipes to enter / exit the Washpoint.

Please see Basin Installation Instructions and Monobloc Installation Instructions supplied separately.



FIXING MULTIPLE WASHPOINTS AND LINK UNIT

When fitting more than one Colorado Washpoint, it is recommended there is a 700mm gap between washpoint centres.

The optional link unit will fit in between two units set this distance apart. The small indentations on the sides of the pod must be drilled with a 10mm hole for fixing the link unit. Link unit fixings are supplied.

REM

T: 01282 619977
F: 01282 619617

Colorado Wash Unit
04780 / 04781
Assembly Instruction Sheet 2/2
Date: 01/10/2013
Produced by: PP



@REMUkSalons



facebook.com/REMSalons