

NOTE: Although the Monitor Bracket provided and desk have various fixing positions, REM cannot guarantee that every monitor will be suitable.

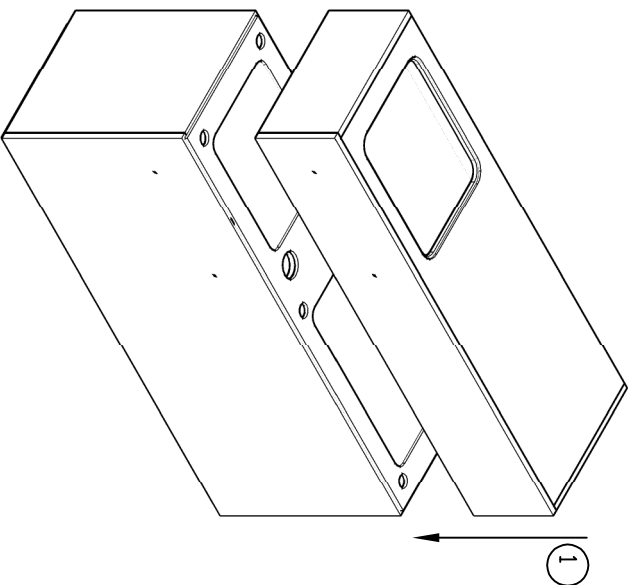
- A : Lower Body
- B : Upper Body
- C : LED Panel
- D : Monitor Bracket
- E : Glass Screen

- FIXINGS (NOT SHOWN)
- F : 4 x Bolts M6 Hex Head
- G : 4 x Pegs
- H : 5 x 35mm screws

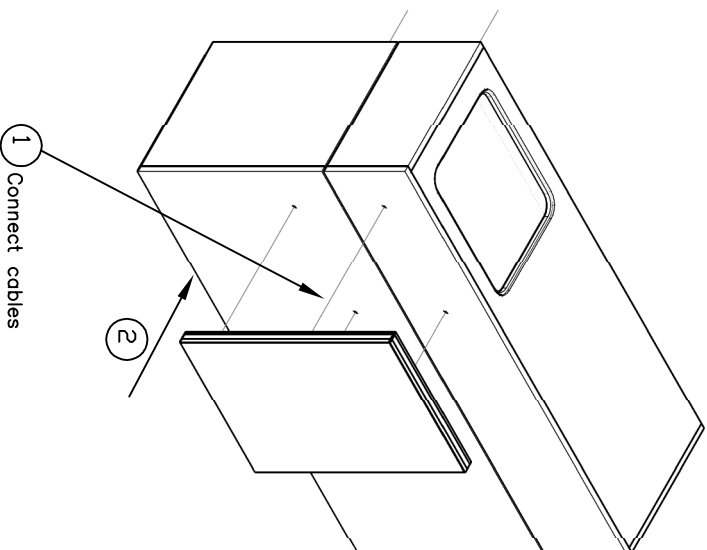
NOTE: MONITOR NOT PROVIDED



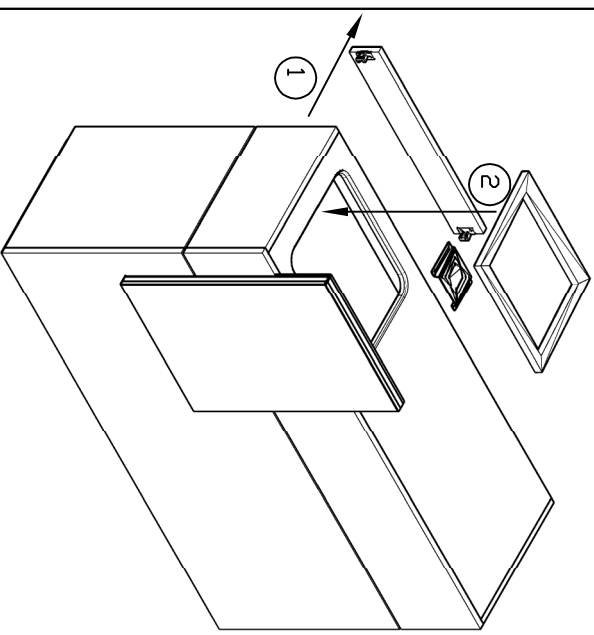
Vogue Reception Desk
 05435 / 05436
 Component Details
 Date: 01/01/2013 – Edition 1
 Produced by: PP



1. Carefully unwrap components and ensure all pieces are in order.
Minimum 2 person required for this operation:
Place Lower Body (A) in required position and carefully lower Upper Body (B) into position [1].
Fix sections together from underside using screws provided (H) [2].



2. Minimum 2 person required for this operation:
Connect electrical cables from desk to LED Panel (C) [1].
Attach LED Panel (C) to desk from inside desk module using Bolts provided (F) [2].



3. Rear panel can be removed for access if required [1].
Attach monitor (NOT PROVIDED) to Monitor Bracket (D), attach Pegs (G) into desk in required positions to suit Monitor Bracket, carefully lower bracket (with monitor attached) over pegs to secure [2].

NOTE: Although the Monitor Bracket provided and desk have various fixing positions, REM cannot guarantee that every monitor will be suitable.

REM

T: 01282 619977
F: 01282 619617

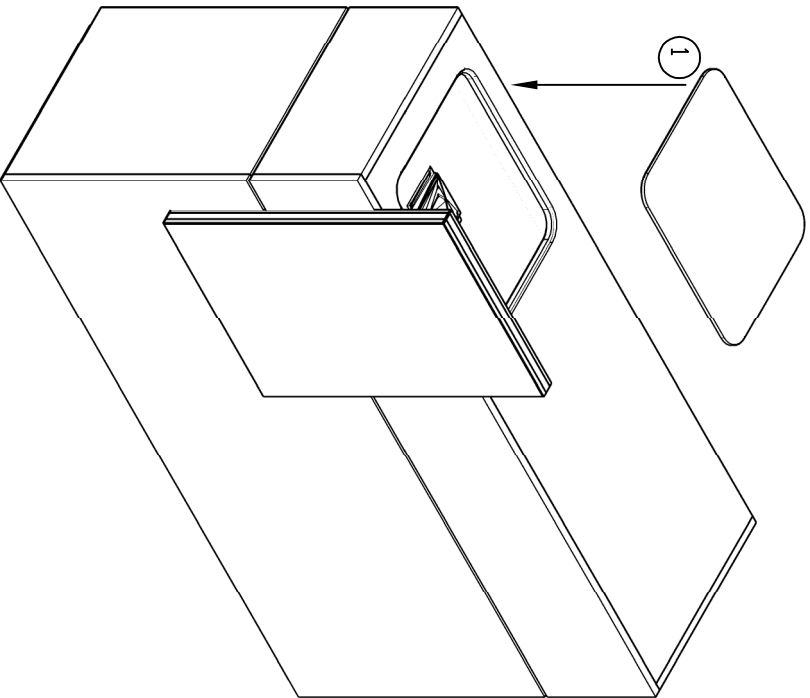
Vogue Reception Desk

05435 / 05436

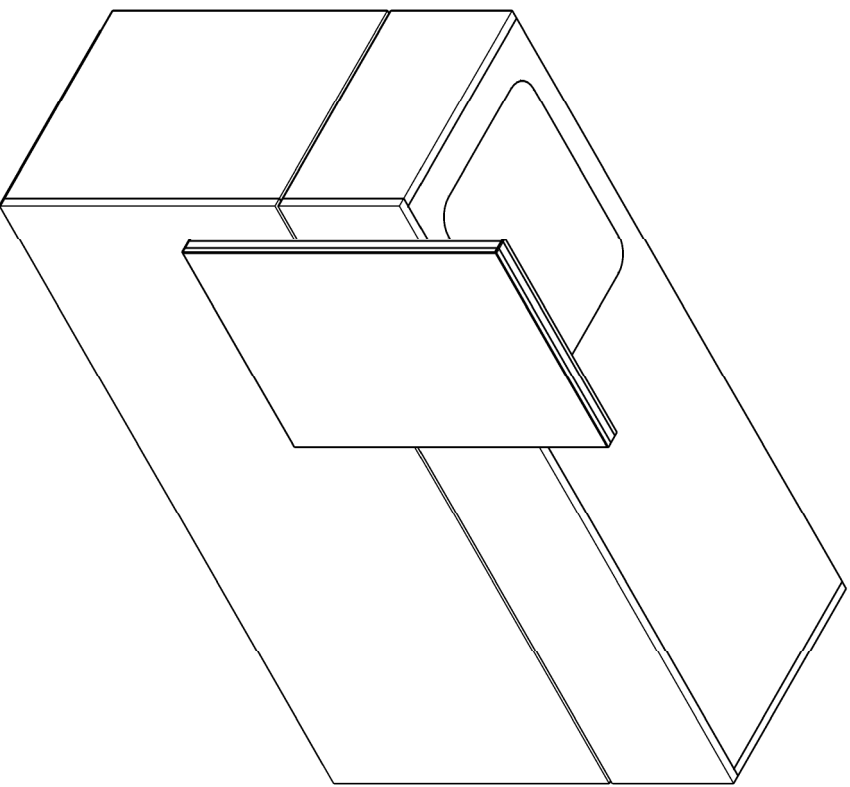
Assembly Instruction Sheet 1/2

Date: 01/01/2013 – Edition 1

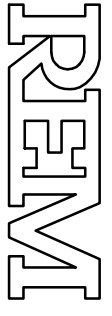
Produced by: PP



4. Carefully lower Glass Screen (E) into place [1].

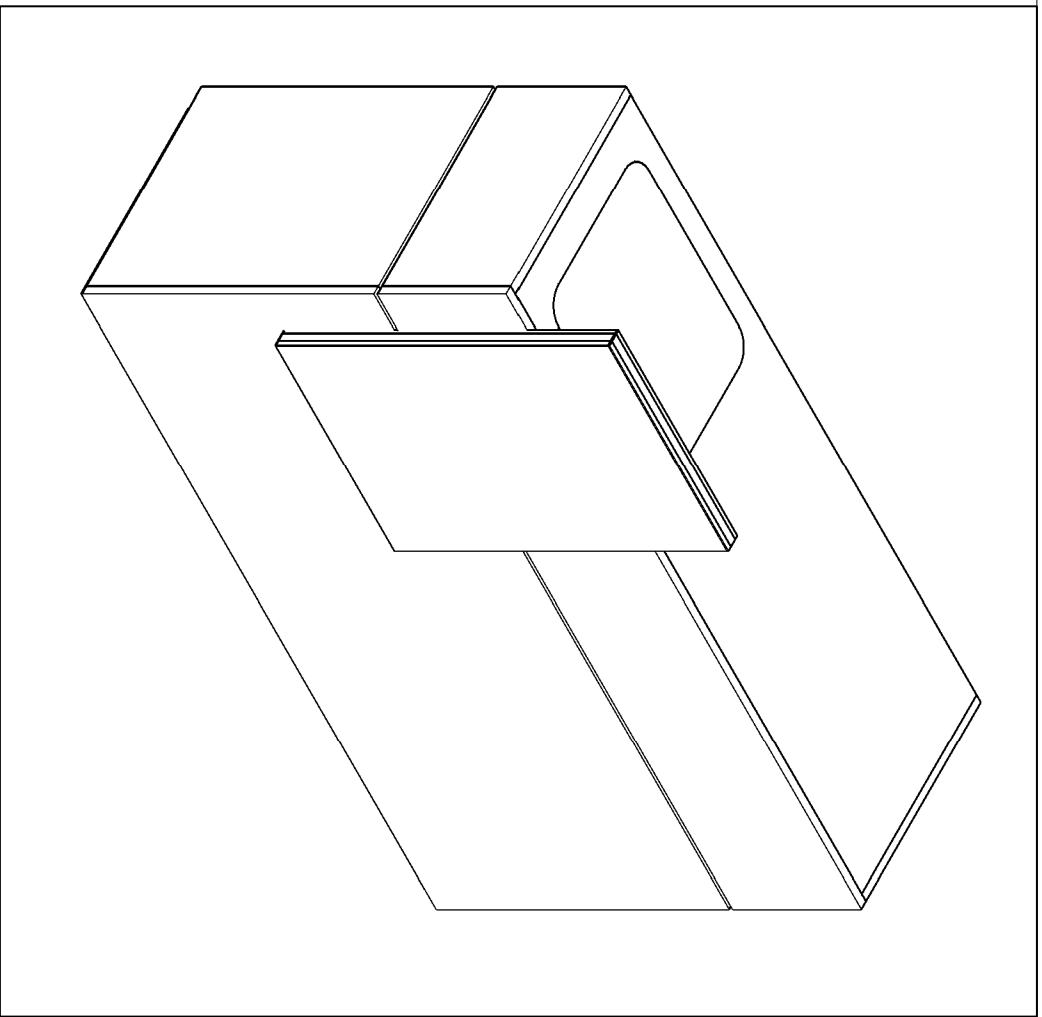


5. Desk Complete.
LED lights can be switched on / off with switch on rear of LED Panel (C).



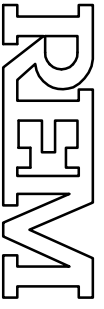
T: 01282 619977
F: 01282 619617

Vogue Reception Desk
05435 / 05436
Assembly Instruction Sheet 2/2
Date: 01/01/2013 – Edition 1
Produced by: PP



Electrical Options

The Vogue Reception Desk is supplied with feature LED lights. This desk must be installed, inspected, and tested by qualified personnel to meet the Requirements for Electrical Installations, IEE Wiring Regulations, 17th Edition. Advice on further periodic inspection and testing should be sought from the technician carrying out the initial installation. Once installed, movement of the unit, modifications, repairs etc. should only be carried out in accordance with the contents of this notice.



T: 01282 619977
F: 01282 619617

Vogue Reception Desk
05435 / 05436
Electrical Installation Instructions
Date: 01/01/2013 – Edition 1
Produced by: PP