

REM (UK) Limited, Glenfield Mill, Glenfield Road, Nelson, Lancashire BB9 8AW T: +44 (0)1282 619 977 F: +44 (0)1282 619 617 E: sales@rem.co.uk W: www.rem.co.uk

Product Codes:

- 04870 - Dune Wash Unit
- 04517 - Centenary / Dune Link Unit

Standard Equipment:

- Kiko basin including pre-plumbing (flexi waste)
- Monobloc mixing valve and hand spray
- Unique water saving shower head
- Stainless steel rear pod

Optional Equipment:

- Basin neck cushion
- Bottle trap
- Hair trap
- Link unit

Main Construction:

- Interior plywood construction with foam toppers.
- Stainless steel rear pod

Finish:

- Any fabric from the REM range. All REM fabrics are fire retardant to Crib 5.

Features:

- Choice of any REM colour with feature piping on arms
- Matching styling chair available

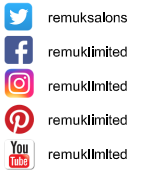
Plumbing Details:

Included:

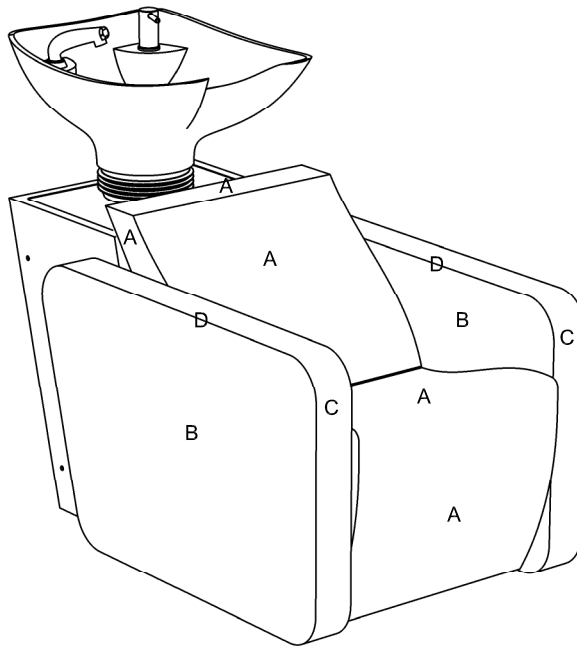
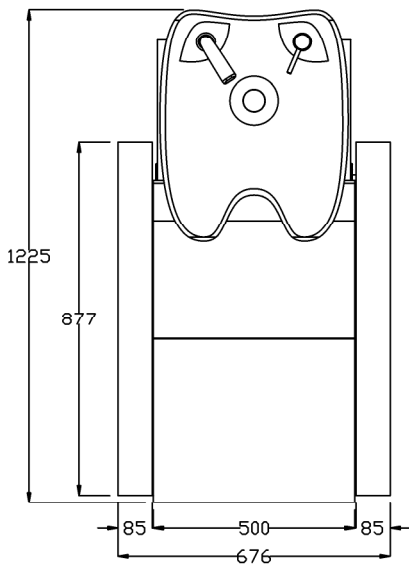
- Hot & cold flexi pipe
- to fit 15mm copper pipe
- Flexi Waste
- 1 ¼ (32mm)

Optional Extra:

- Bottle Trap A10A
- 1 ¼ (32mm)



Fabric Finish Options:



- A = Fabric
- B = Fabric
- C = Fabric
- D = Fabric (piping)

Wash Unit Options:

- 03954 Embroidery Small
- 03955 Embroidery Large (embroidery to rear of chairs)

Clear Protective Back Cover

Optional extras must be clearly detailed at time of order.

