

REM (UK) Limited, Glenfield Mill, Glenfield Road, Nelson, Lancashire BB9 8AW T: +44 (0)1282 619 977 F: +44 (0)1282 619 617 E: sales@rem.co.uk W: www.rem.co.uk

**Product Codes:**

- 01590 - Dream Pedispa

**Standard Equipment:**

- Manually adjustable footrest
- Retractable tap
- Whirl pool motor
- Porcelain basin
- Laminated basin cover

**Optional Equipment:**

- N/A

**Main Construction:**

- Interior plywood construction with foam toppers.
- Any REM laminate to base
- Any REM fabric to seat
- Ceramic basin

**Finish:**

- Any fabric & laminate from the REM range. All REM fabrics are fire retardant to Crib 5.

**Features:**

- Unique Design
- Choice of any REM colours with feature buttoning on seat
- Adjustable footrest
- Retractable tap
- Laminated basin cover

**Plumbing Details:**

Included:

- Hot & cold flexi pipe  
- to fit 15mm copper pipe
- Flexi Waste  
- 1 ¼ (32mm)

Optional Extra:

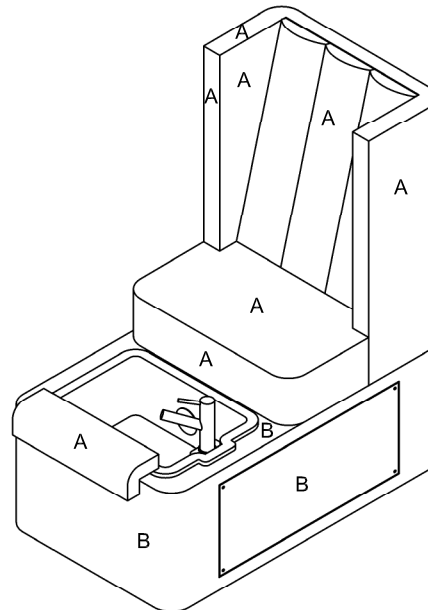
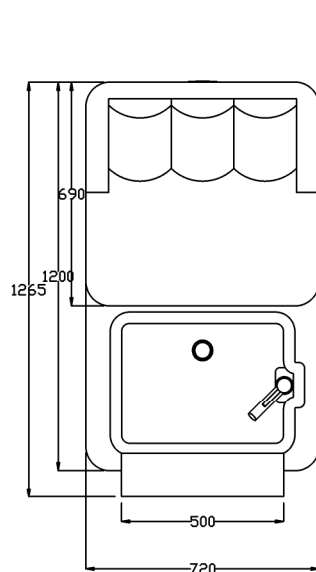
- Bottle Trap A10A  
- 1 ¼ (32mm)



**Fabric Finish Options:**



**Laminate Finish Options:**



A = Fabric  
B = Laminate

Unit Options:

- 03954 Embroidery Small
- 03955 Embroidery Large (embroidery to rear of chairs)

Optional extras must be clearly detailed at time of order.

