

REM (UK) Limited, Glenfield Mill, Glenfield Road, Nelson, Lancashire BB9 8AW T: +44 (0)1282 619 977 F: +44 (0)1282 619 617 E: sales@rem.co.uk W: www.rem.co.uk

Product Codes:

- 01011 - Prima Trolley

Standard Equipment:

- Lockable door
- 4 pull out trays

Optional Equipment:

- N/A

Main Construction:

- Particle board and MFC

Finish:

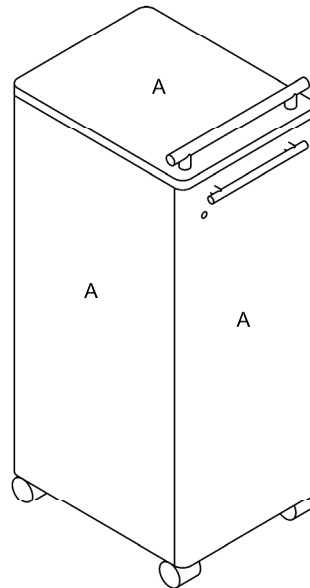
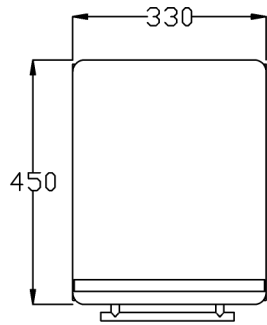
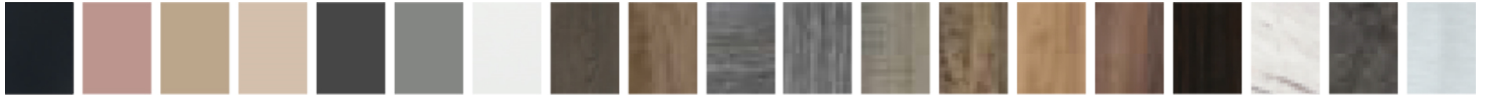
- Available in any high pressure laminate from the REM range
- Injection moulded internal trays

Features:

- Choice of REM colours
- All enclosed design
- Lockable



Laminate Finish Options:



A = Laminate

Optional extras must be clearly detailed at time of order.

